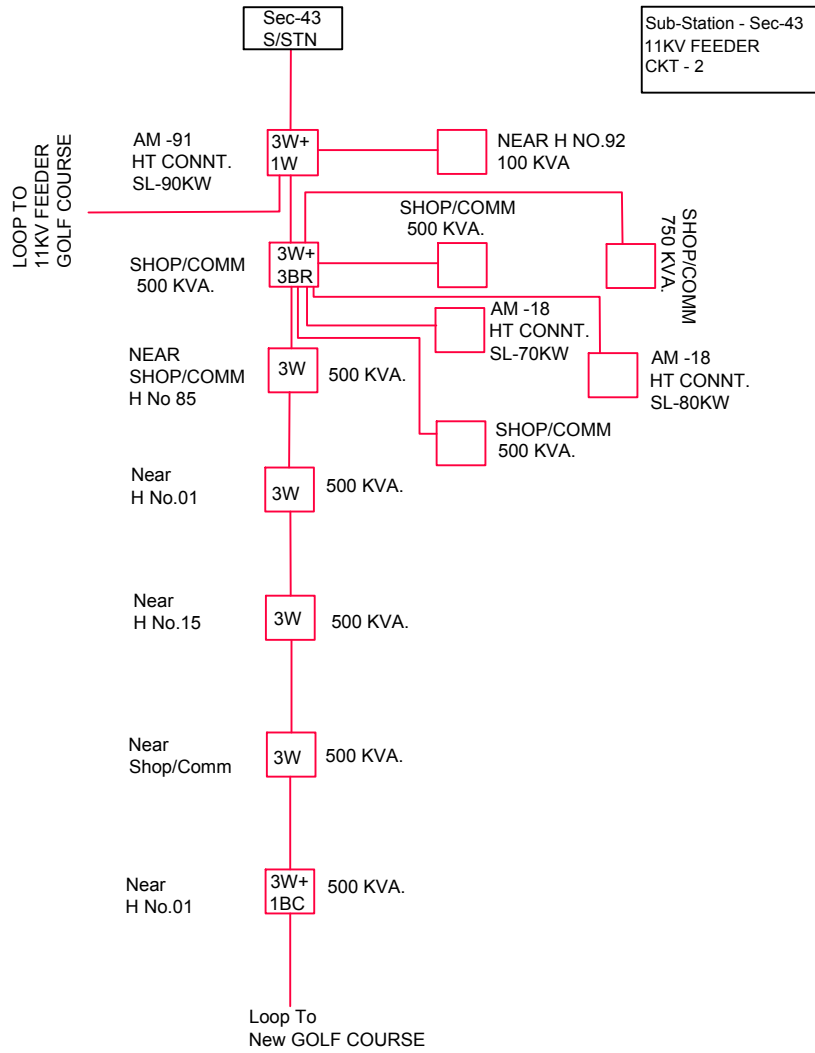


Proposed Network	
Description of Item	Quantity
E/N 630KVA	
E 400KVA/500KVA	
E 200KVA/315KVA	
RMU 1 W	
RMU 3 W (2I)	
RMU 4 W (2I+2B)	
RMU 5 W (2I+3B)	
11 KV 3x400mm²Cable	
11 KV 3x300mm²Cable	
11 KV 3x120mm²Cable	

Transformers to be Dismantalled	No.
T/F 200KVA/315KVA	
T/F 400KVA/500KVA	
T/F 630KVA	



Proposed Network	
Description of Item	Quantity
E/N 630KVA	
E 400KVA/500KVA	
E 200KVA/315KVA	
RMU 1 W	
RMU 3 W (2I)	
RMU 4 W (2I+2B)	
RMU 5 W (2I+3B)	
11 KV 3x400mm²Cable	
11 KV 3x300mm²Cable	
11 KV 3x120mm²Cable	

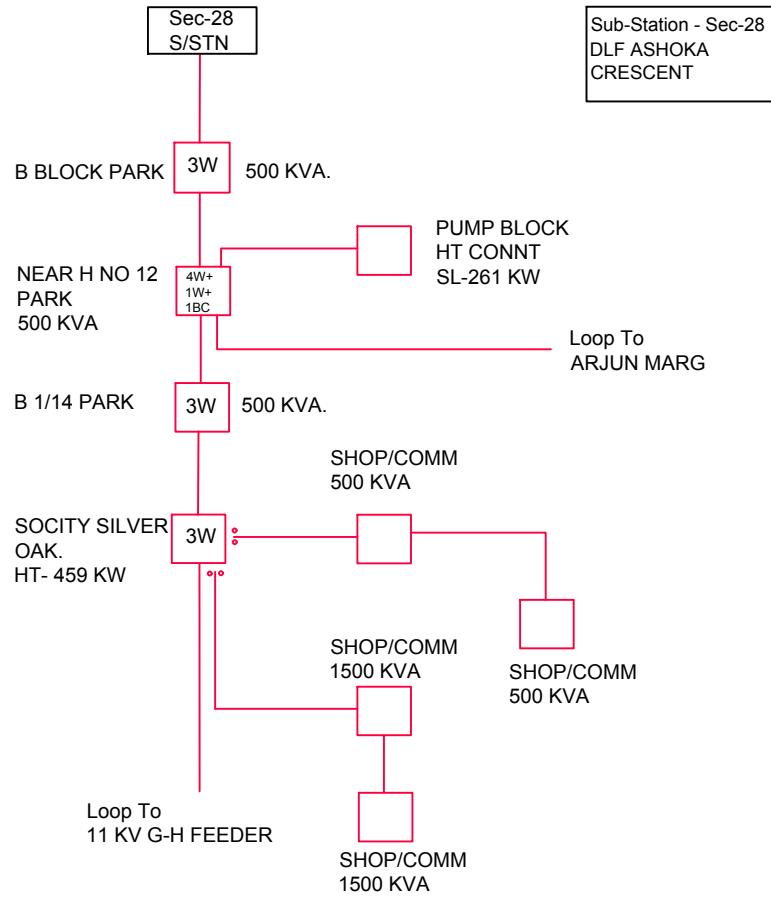
Transformers to be Dismantalled	No.
T/F 200KVA/315KVA	
T/F 400KVA/500KVA	
T/F 630KVA	

Sub-Station  
Sec-44

Sub-Station - Sec-44  
11KV Feeder Classical  
Real State

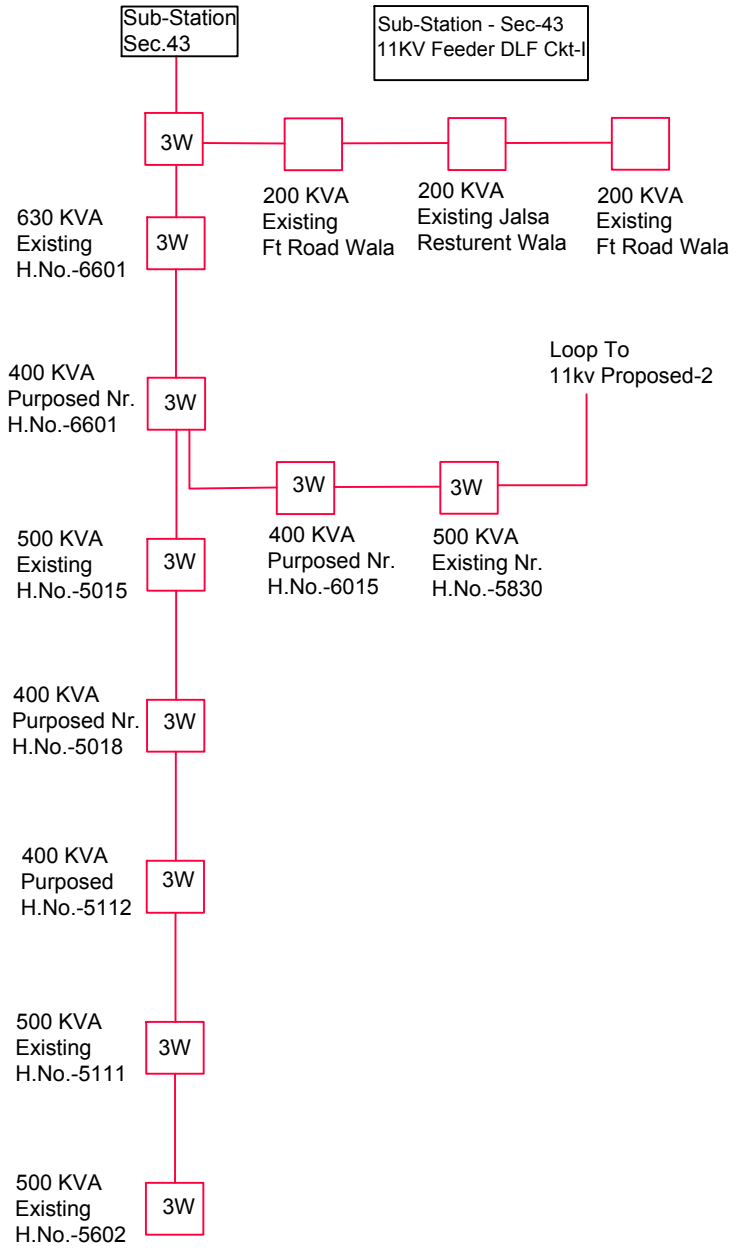
3W HT Connection  
Classical  
Real State

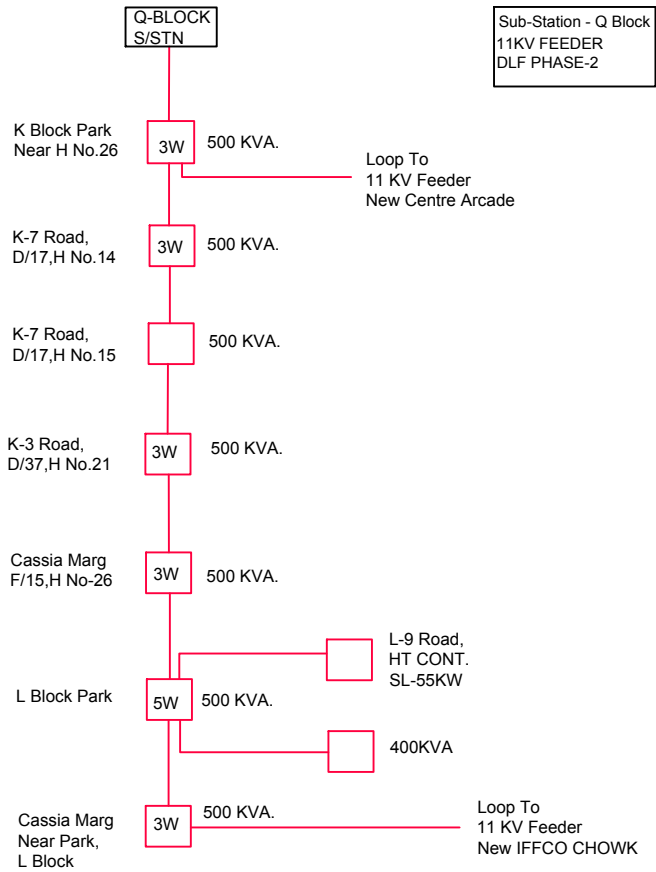
Loop To  
11kv Feeder DD  
Resort



Proposed Network	
Description of Item	Quantity
E/N 630KVA	
E 400KVA/500KVA	
E 200KVA/315KVA	
RMU 1 W	
RMU 3 W (2I)	
RMU 4 W (2I+2B)	
RMU 5 W (2I+3B)	
11 KV 3x400mm²Cable	
11 KV 3x300mm²Cable	
11 KV 3x120mm²Cable	

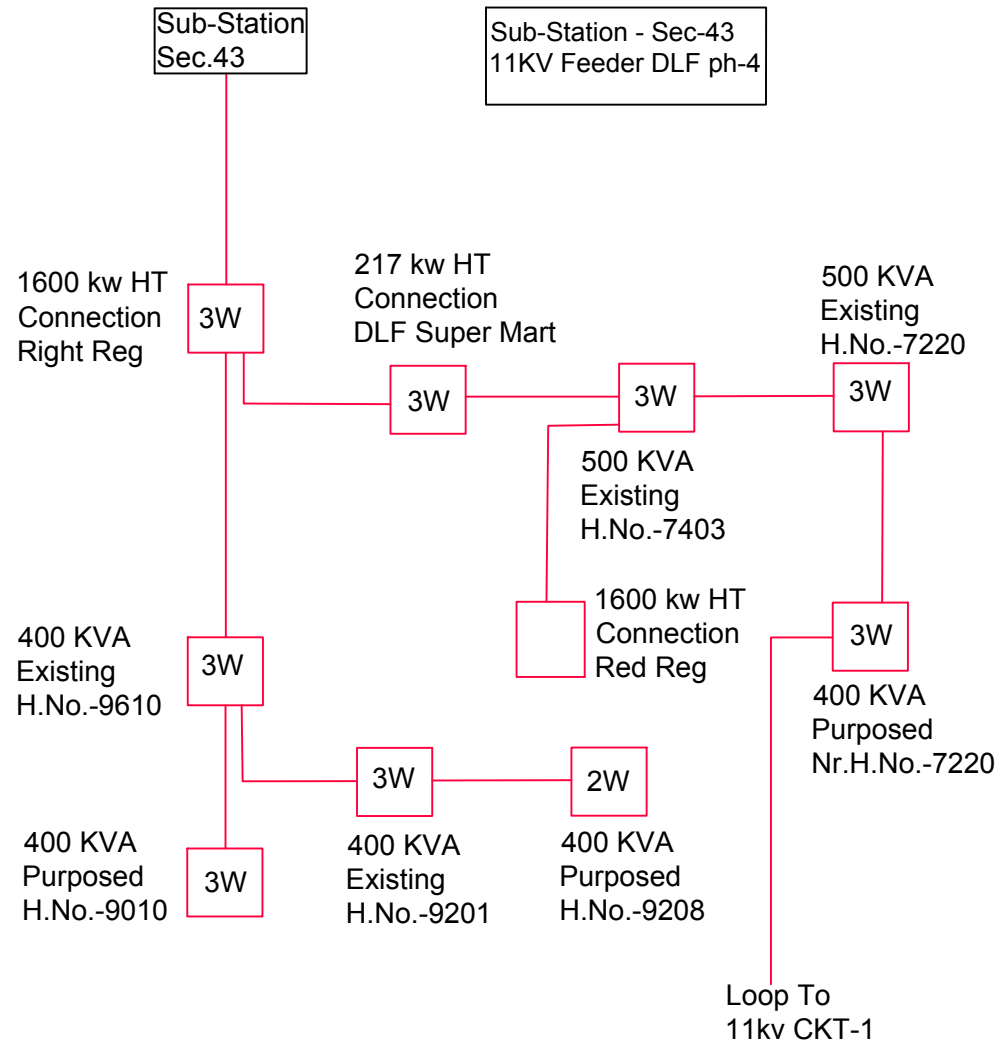
Transformers to be Dismantalled	No.
T/F 200KVA/315KVA	
T/F 400KVA/500KVA	
T/F 630KVA	

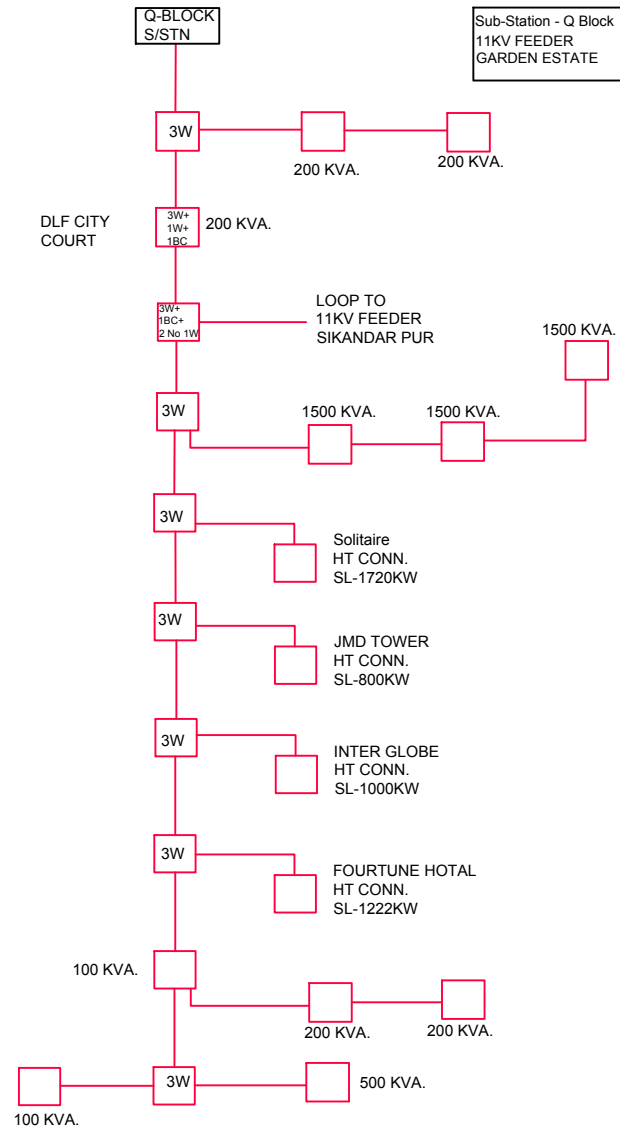




Proposed Network	
Description of Item	Quantity
E/N 630KVA	
E 400KVA/500KVA	
E 200KVA/315KVA	
RMU 1 W	
RMU 3 W (2I)	
RMU 4 W (2I+2B)	
RMU 5 W (2I+3B)	
11 KV 3x400mm²Cable	
11 KV 3x300mm²Cable	
11 KV 3x120mm²Cable	

Transformers to be Dismantalled	No.
T/F 200KVA/315KVA	
T/F 400KVA/500KVA	
T/F 630KVA	



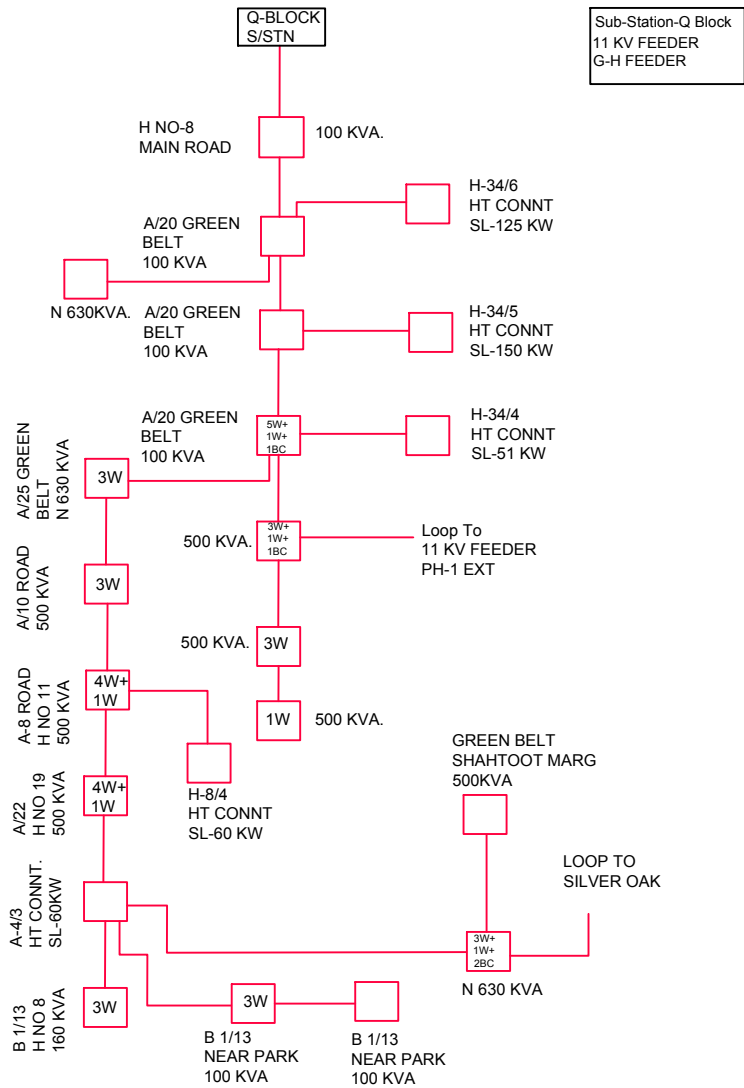


Sub-Station - Q Block  
11KV FEEDER  
GARDEN ESTATE

Proposed Network	
Description of Item	Quantity
E/N 630KVA	
E 400KVA/500KVA	
E 200KVA/315KVA	
RMU 1 W	
RMU 3 W (2I)	
RMU 4 W (2I+2B)	
RMU 5 W (2I+3B)	
11 KV 3x400mm²Cable	
11 KV 3x300mm²Cable	
11 KV 3x120mm²Cable	

Transformers to be Dismantalled	No.
T/F 200KVA/315KVA	
T/F 400KVA/500KVA	
T/F 630KVA	





Proposed Network	
Description of Item	Quantity
E/N 630KVA	
E 400KVA/500KVA	
E 200KVA/315KVA	
RMU 1 W	
RMU 3 W (2I)	
RMU 4 W (2I+2B)	
RMU 5 W (2I+3B)	
11 KV 3x400mm²Cable	
11 KV 3x300mm²Cable	
11 KV 3x120mm²Cable	

Transformers to be Dismantalled	No.
T/F 200KVA/315KVA	
T/F 400KVA/500KVA	
T/F 630KVA	

Sub-Station  
Sec-43

Sub-Station - Sec-43  
11KV Feeder Gulab  
Farm



HT Connection  
Gulab Farm

Loop To  
11kv Feeder Plaza  
Tower

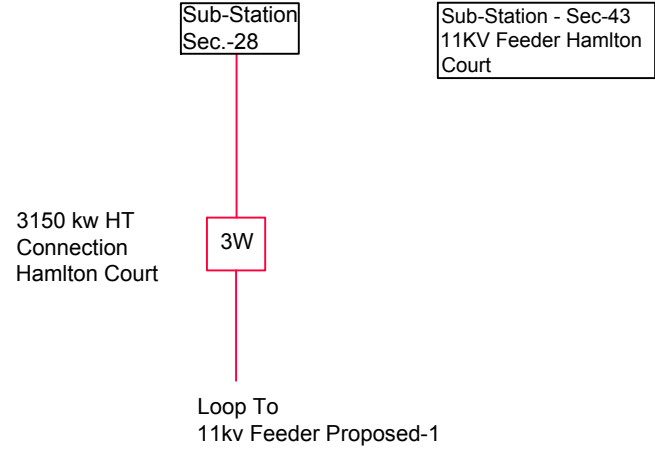
Sub-Station  
Sec.-28

Sub-Station - Sec-43  
11KV Feeder Hamilton  
Court

3150 kw HT  
Connection  
Hamilton Court

3W

Loop To  
11kv Feeder Proposed-1

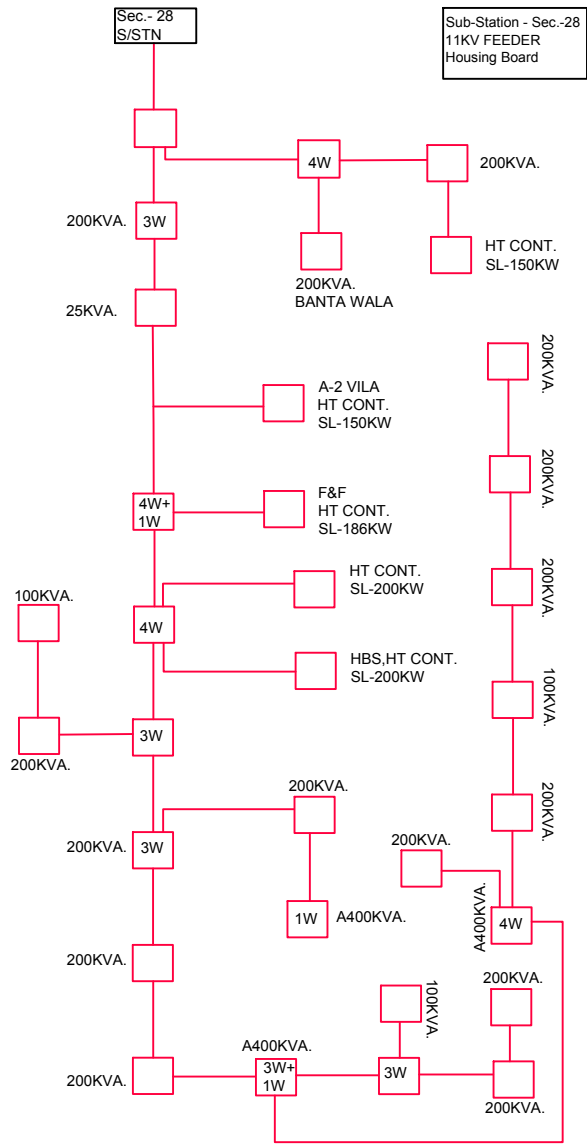


Sub-Station  
Sec-43

Sub-Station - Sec-43  
11KV Feeder  
Hotel Hans

3W HT Connection  
Hotel Hans

Loop To  
11kv Feeder Icon



Proposed Network	
Description of Item	Quantity
E/N 630KVA	
E 400KVA/500KVA	
E 200KVA/315KVA	
RMU 1 W	
RMU 3 W (2I)	
RMU 4 W (2I+2B)	
RMU 5 W (2I+3B)	
11 KV 3x400mm²Cable	
11 KV 3x300mm²Cable	
11 KV 3x120mm²Cable	

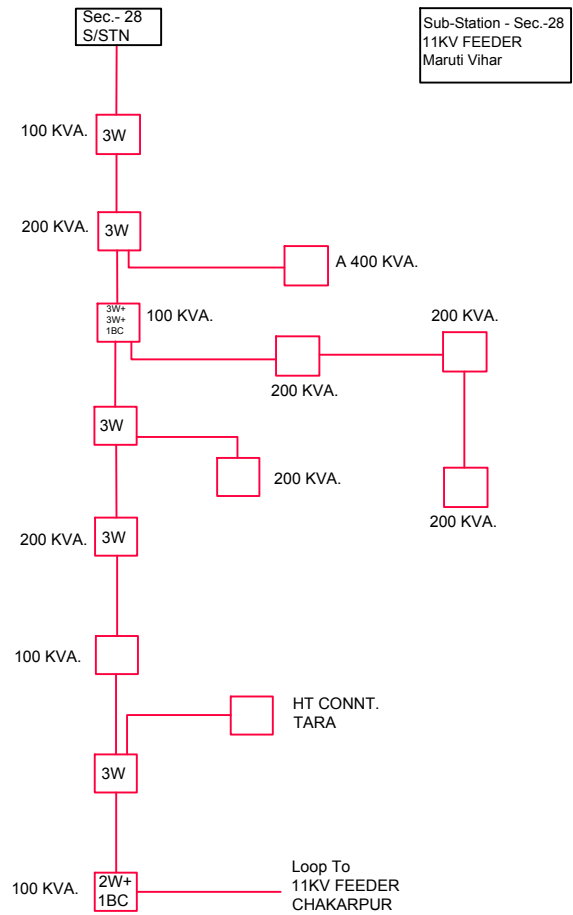
Transformers to be Dismantalled	No.
T/F 200KVA/315KVA	
T/F 400KVA/500KVA	
T/F 630KVA	

Sub-Station  
Sec-43

Sub-Station - Sec-43  
11KV Feeder Icon Ind.

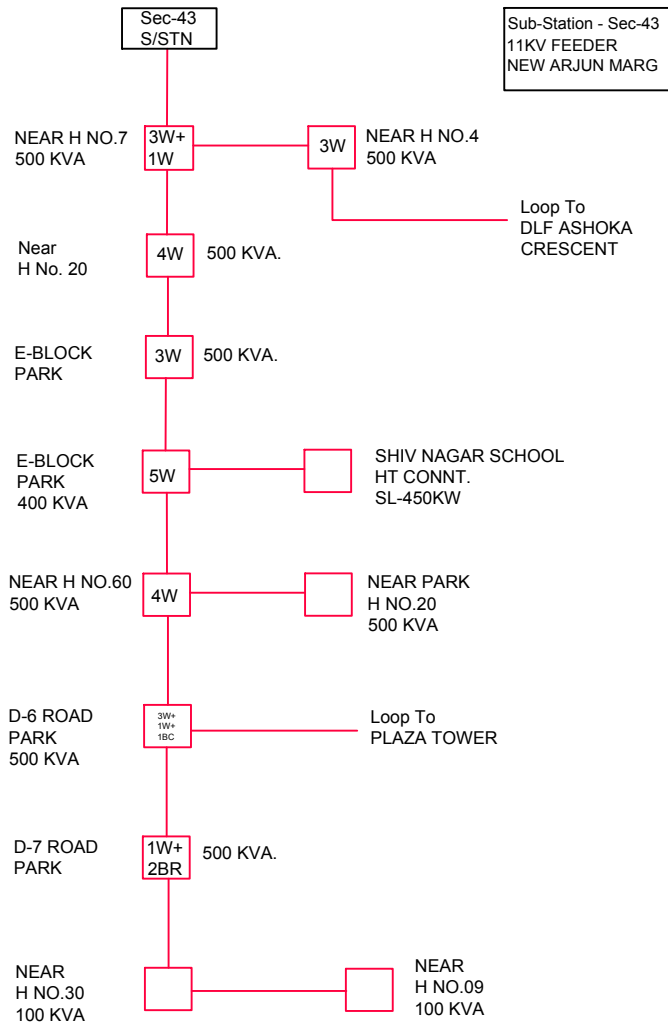
3W HT Connection  
SL-1200 kw

Loop To  
11kv Feeder Hotal  
Hans



Proposed Network	
Description of Item	Quantity
E/N 630KVA	
E 400KVA/500KVA	
E 200KVA/315KVA	
RMU 1 W	
RMU 3 W (2I)	
RMU 4 W (2I+2B)	
RMU 5 W (2I+3B)	
11 KV 3x400mm <sup>2</sup> Cable	
11 KV 3x300mm <sup>2</sup> Cable	
11 KV 3x120mm <sup>2</sup> Cable	

Transformers to be Dismantalled	No.
T/F 200KVA/315KVA	
T/F 400KVA/500KVA	
T/F 630KVA	

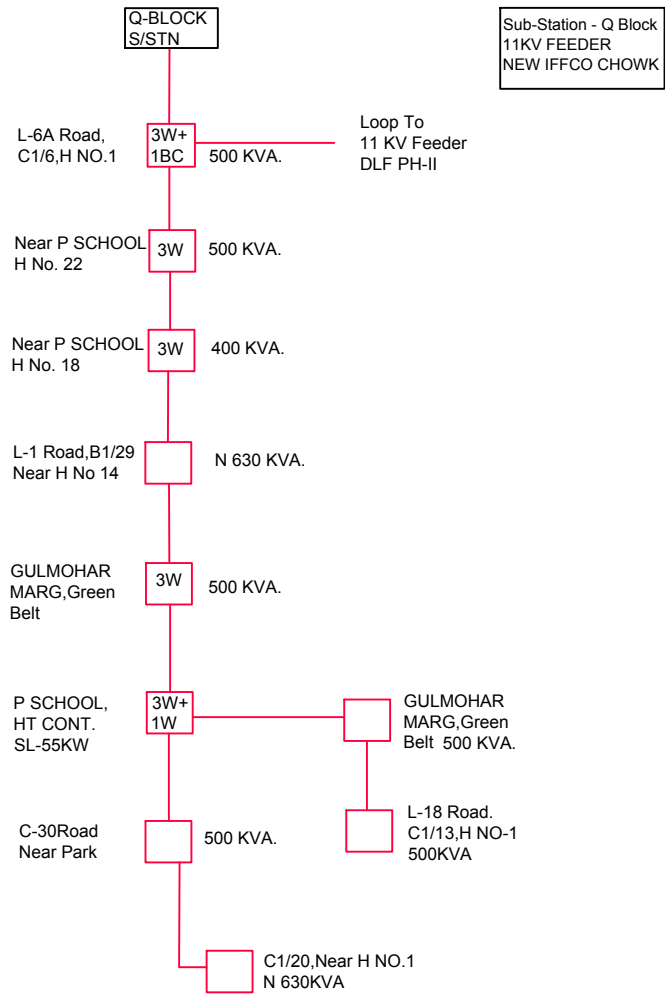


Proposed Network	
Description of Item	Quantity
E/N 630KVA	
E 400KVA/500KVA	
E 200KVA/315KVA	
RMU 1 W	
RMU 3 W (2I)	
RMU 4 W (2I+2B)	
RMU 5 W (2I+3B)	
11 KV 3x400mm²Cable	
11 KV 3x300mm²Cable	
11 KV 3x120mm²Cable	

Transformers to be Dismantalled	No.
T/F 200KVA/315KVA	
T/F 400KVA/500KVA	
T/F 630KVA	

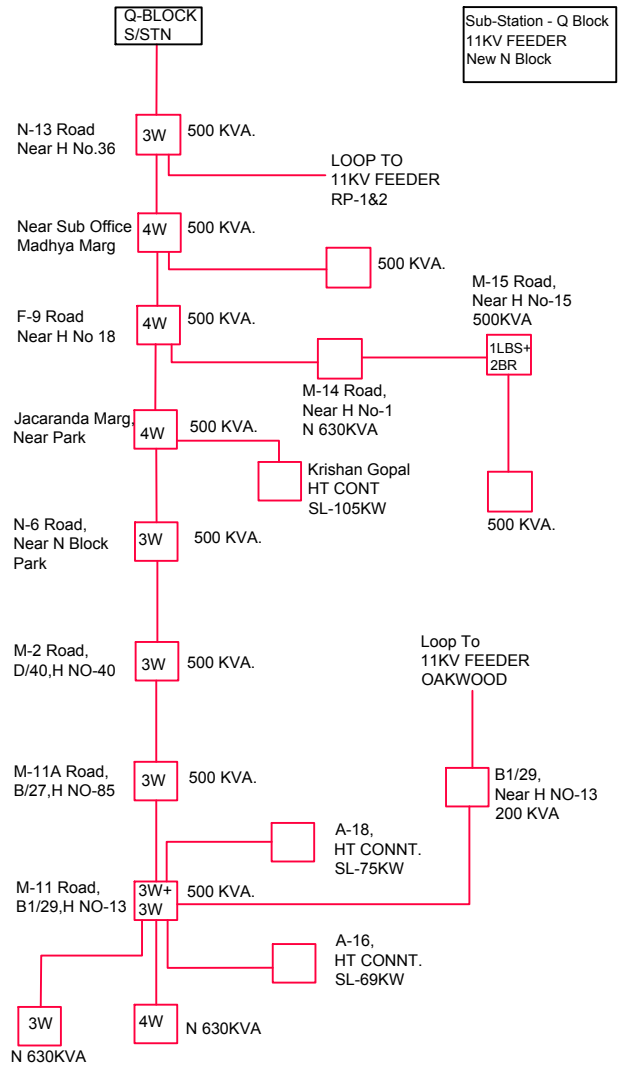






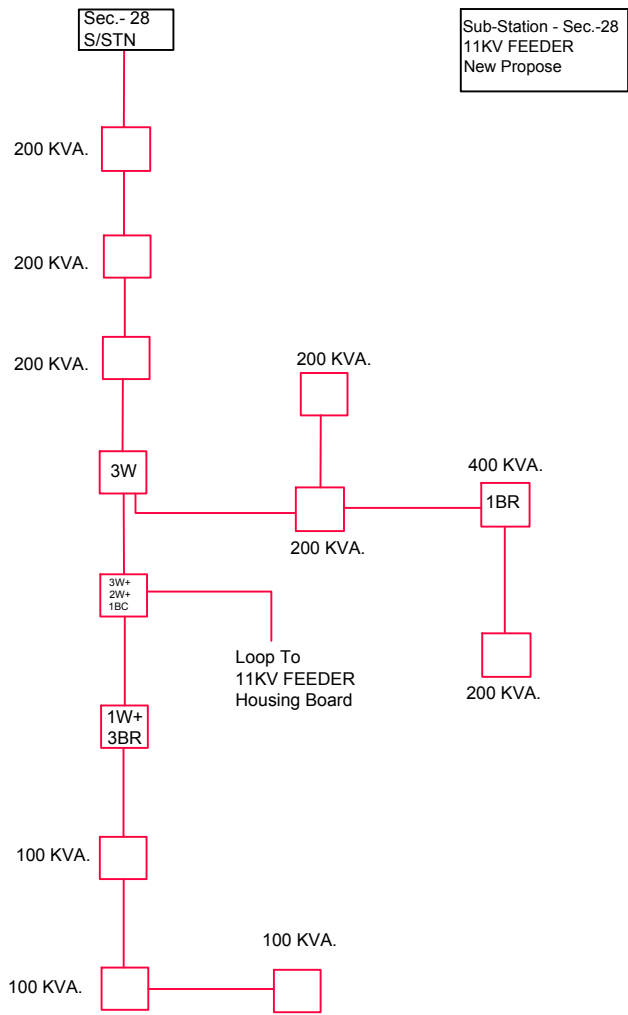
Proposed Network	
Description of Item	Quantity
E/N 630KVA	
E 400KVA/500KVA	
E 200KVA/315KVA	
RMU 1 W	
RMU 3 W (2I)	
RMU 4 W (2I+2B)	
RMU 5 W (2I+3B)	
11 KV 3x400mm²Cable	
11 KV 3x300mm²Cable	
11 KV 3x120mm²Cable	

Transformers to be Dismantalled	No.
T/F 200KVA/315KVA	
T/F 400KVA/500KVA	
T/F 630KVA	



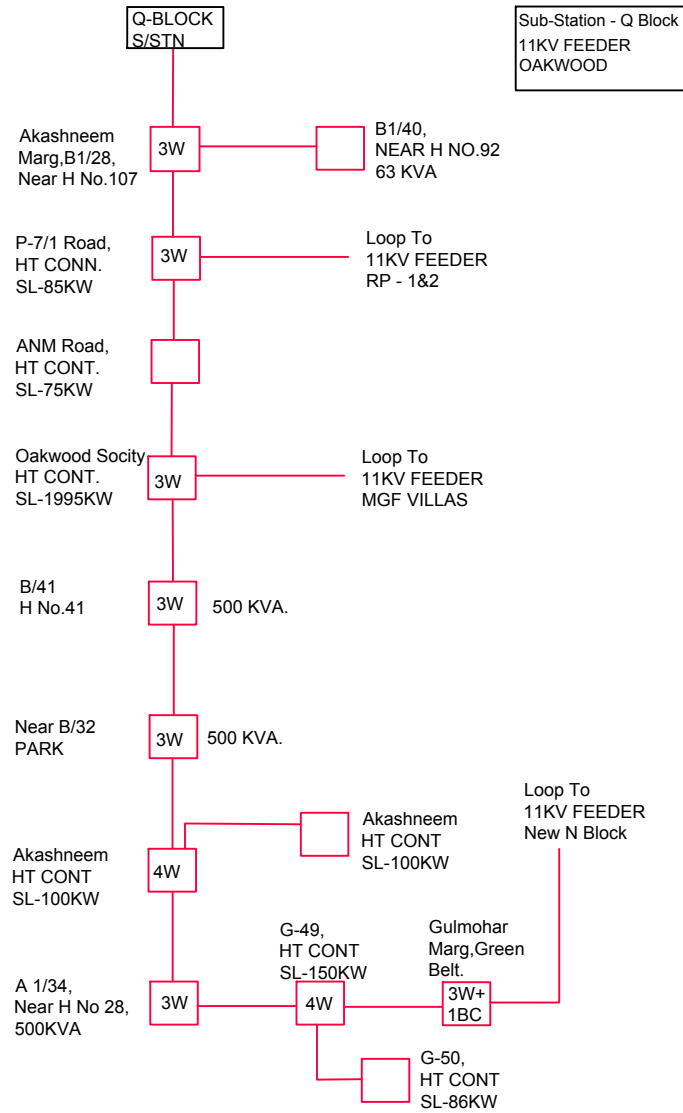
Proposed Network	
Description of Item	Quantity
E/N 630KVA	
E 400KVA/500KVA	
E 200KVA/315KVA	
RMU 1 W	
RMU 3 W (2I)	
RMU 4 W (2I+2B)	
RMU 5 W (2I+3B)	
11 KV 3x400mm²Cable	
11 KV 3x300mm²Cable	
11 KV 3x120mm²Cable	

Transformers to be Dismantalled	No.
T/F 200KVA/315KVA	
T/F 400KVA/500KVA	
T/F 630KVA	



Proposed Network	
Description of Item	Quantity
E/N 630KVA	
E 400KVA/500KVA	
E 200KVA/315KVA	
RMU 1 W	
RMU 3 W (2I)	
RMU 4 W (2I+2B)	
RMU 5 W (2I+3B)	
11 KV 3x400mm²Cable	
11 KV 3x300mm²Cable	
11 KV 3x120mm²Cable	

Transformers to be Dismantalled	No.
T/F 200KVA/315KVA	
T/F 400KVA/500KVA	
T/F 630KVA	



Proposed Network	
Description of Item	Quantity
E/N 630KVA	
E 400KVA/500KVA	
E 200KVA/315KVA	
RMU 1 W	
RMU 3 W (2I)	
RMU 4 W (2I+2B)	
RMU 5 W (2I+3B)	
11 KV 3x400mm²Cable	
11 KV 3x300mm²Cable	
11 KV 3x120mm²Cable	

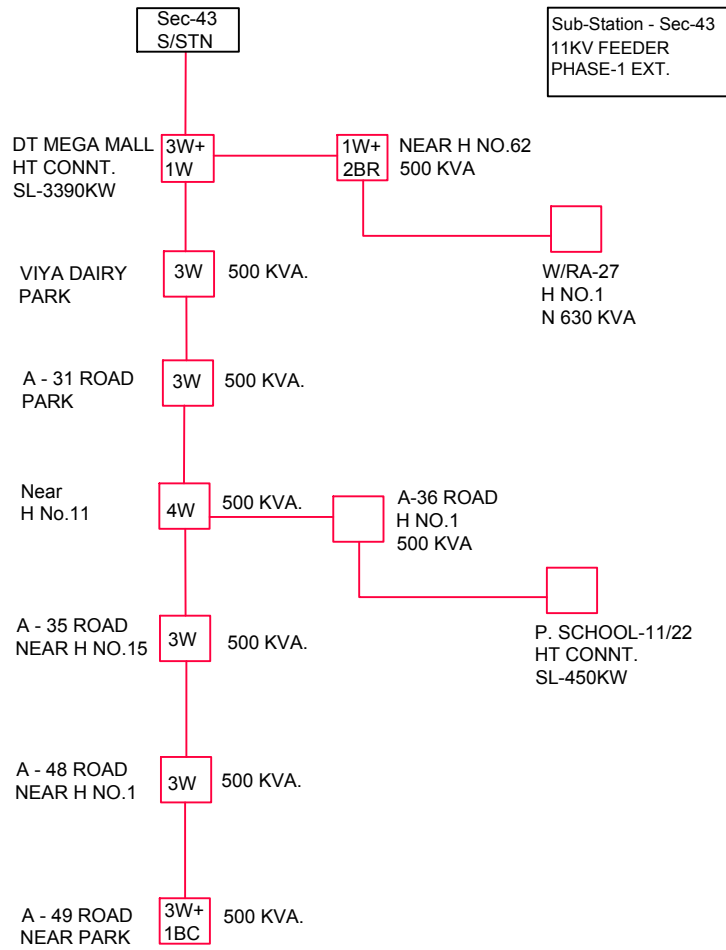
Transformers to be Dismantalled	No.
T/F 200KVA/315KVA	
T/F 400KVA/500KVA	
T/F 630KVA	

Sub-Station  
Sec-52

Sub-Station - Sec-43  
11KV Feeder Paras  
Hospital

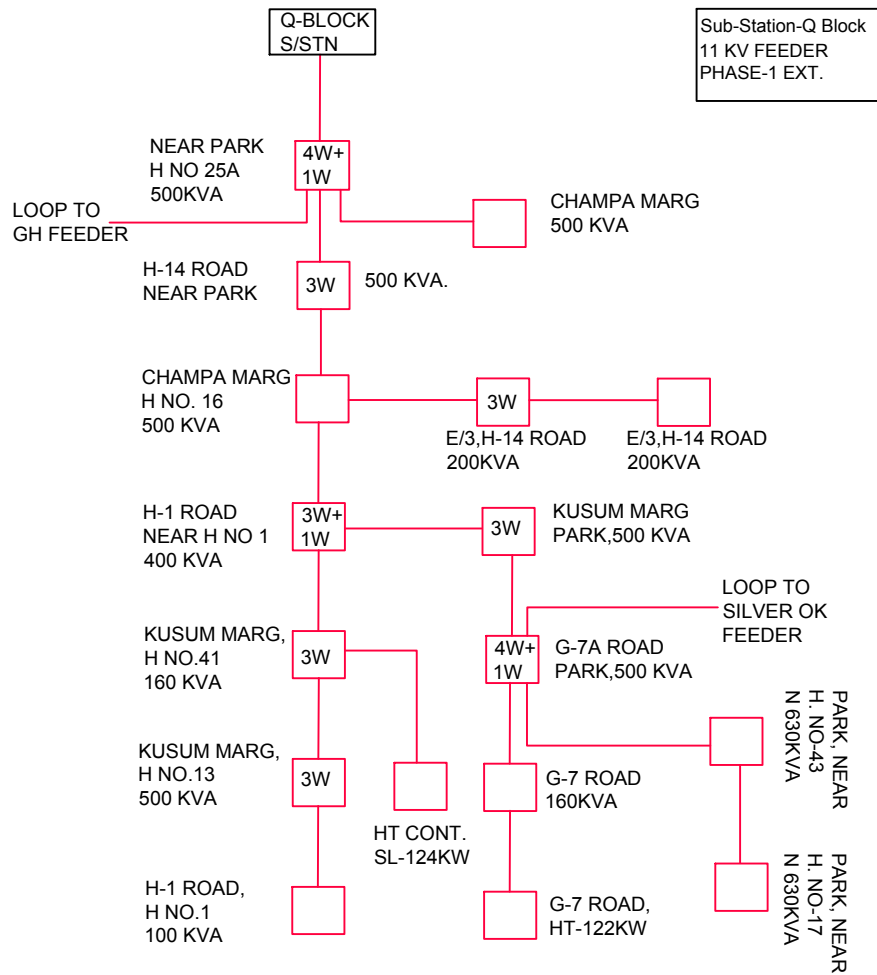
3W HT Connection  
Paras Hospital

Loop To  
11kv Feeder Sec.43



Proposed Network	
Description of Item	Quantity
E/N 630KVA	
E 400KVA/500KVA	
E 200KVA/315KVA	
RMU 1 W	
RMU 3 W (2I)	
RMU 4 W (2I+2B)	
RMU 5 W (2I+3B)	
11 KV 3x400mm²Cable	
11 KV 3x300mm²Cable	
11 KV 3x120mm²Cable	

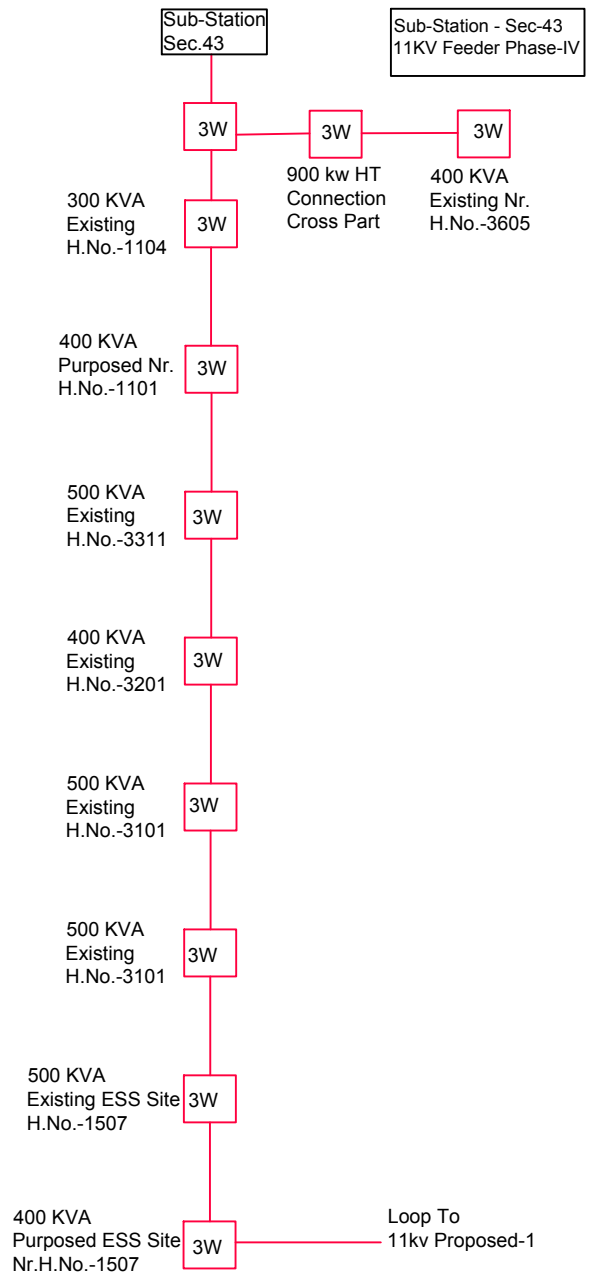
Transformers to be Dismantalled	No.
T/F 200KVA/315KVA	
T/F 400KVA/500KVA	
T/F 630KVA	

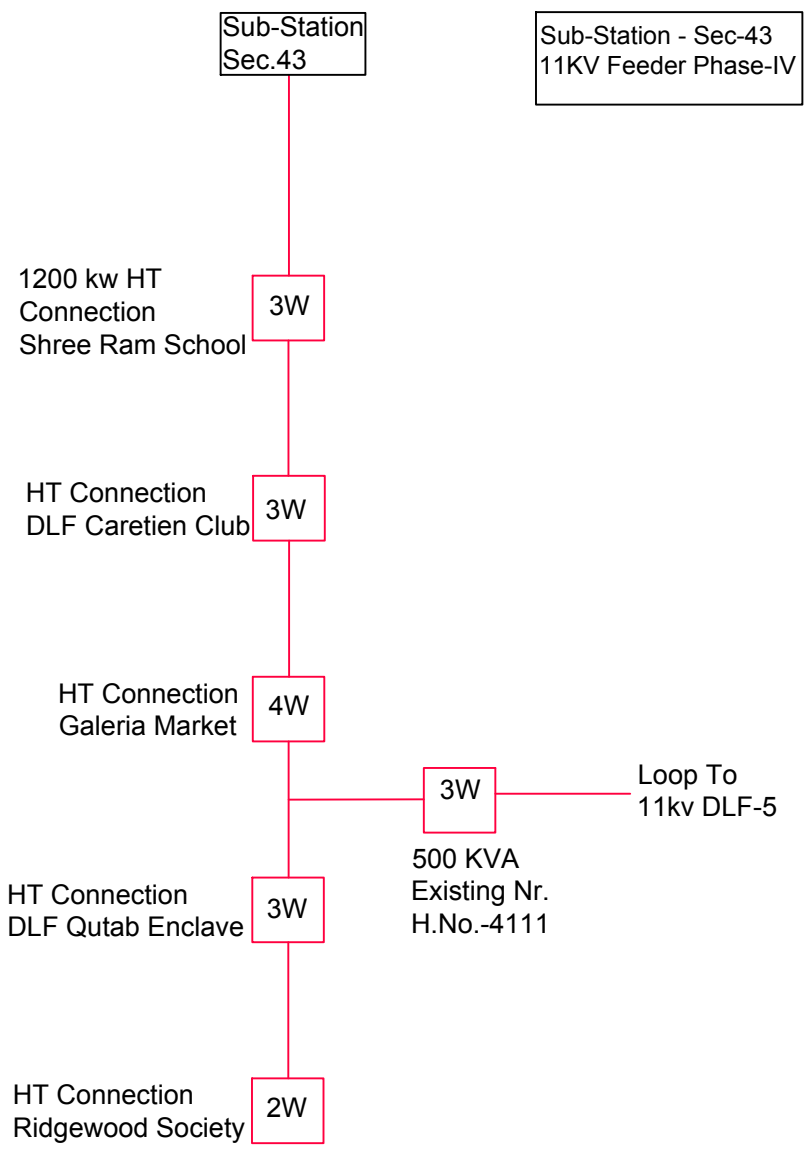


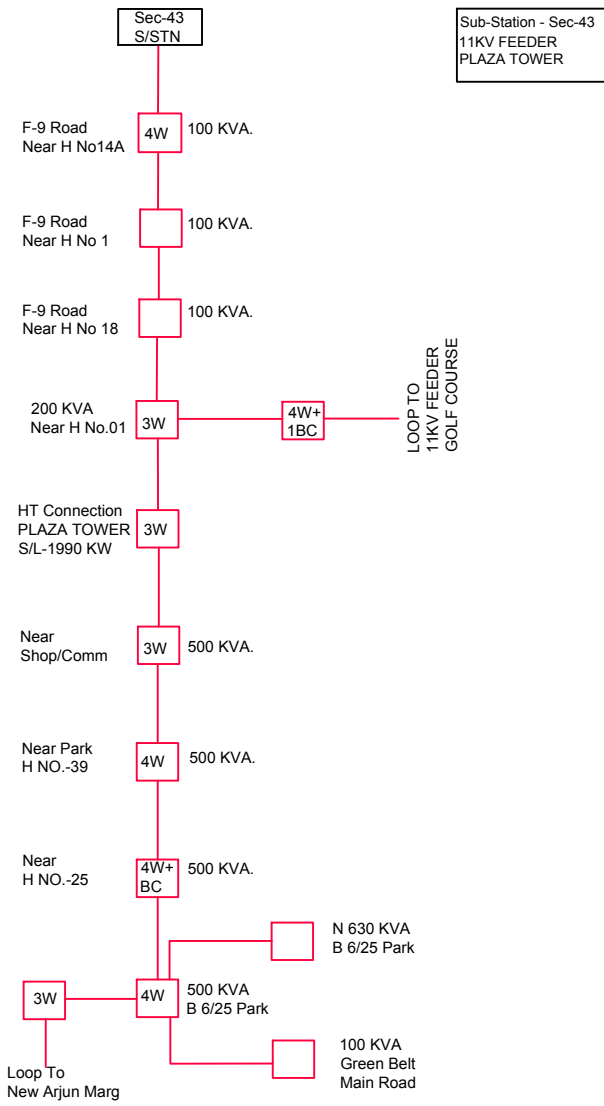
Proposed Network	
Description of Item	Quantity
E/N 630KVA	
E 400KVA/500KVA	
E 200KVA/315KVA	
RMU 1 W	
RMU 3 W (2I)	
RMU 4 W (2I+2B)	
RMU 5 W (2I+3B)	
11 KV 3x400mm²Cable	
11 KV 3x300mm²Cable	
11 KV 3x120mm²Cable	

Transformers to be Dismantalled	No.
T/F 200KVA/315KVA	
T/F 400KVA/500KVA	
T/F 630KVA	









Sub-Station - Sec-43  
11KV FEEDER  
PLAZA TOWER

Proposed Network	
Description of Item	Quantity
E/N 630KVA	
E 400KVA/500KVA	
E 200KVA/315KVA	
RMU 1 W	
RMU 3 W (2I)	
RMU 4 W (2I+2B)	
RMU 5 W (2I+3B)	
11 KV 3x400mm <sup>2</sup> Cable	
11 KV 3x300mm <sup>2</sup> Cable	
11 KV 3x120mm <sup>2</sup> Cable	

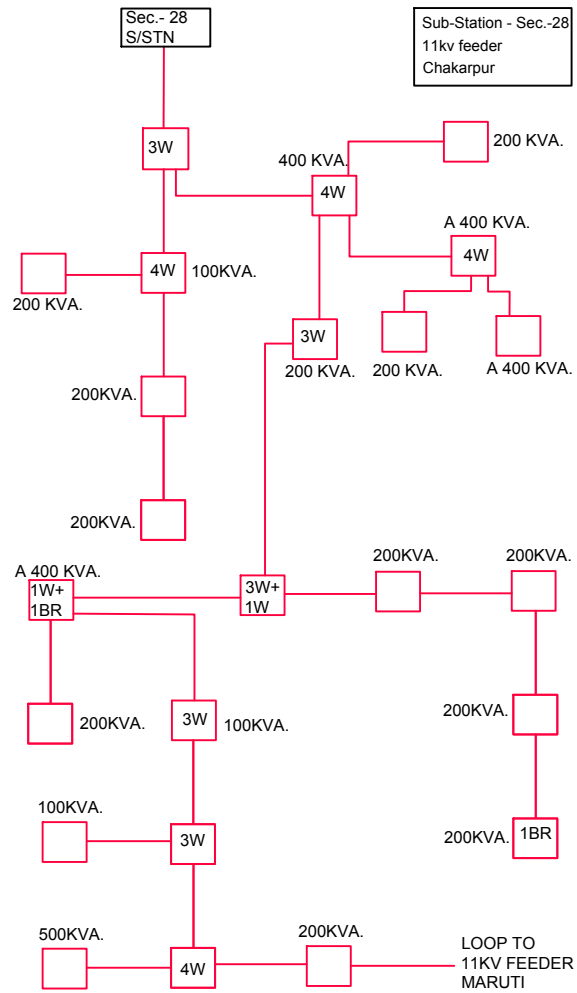
Transformers to be Dismantalled	No.
T/F 200KVA/315KVA	
T/F 400KVA/500KVA	
T/F 630KVA	

Sub-Station  
Sec-44

Sub-Station - Sec-43  
11KV Feeder  
Power Grid

3W HT Connection  
Power Grid

Loop To  
11kv Feeder Sec.43  
from  
Sec.52 Near Mana  
Laxmi Society



Proposed Network	
Description of Item	Quantity
E/N 630KVA	
E 400KVA/500KVA	
E 200KVA/315KVA	
RMU 1 W	
RMU 3 W (2I)	
RMU 4 W (2I+2B)	
RMU 5 W (2I+3B)	
11 KV 3x400mm²Cable	
11 KV 3x300mm²Cable	
11 KV 3x120mm²Cable	

Transformers to be Dismantalled	No.
T/F 200KVA/315KVA	
T/F 400KVA/500KVA	
T/F 630KVA	

Sec-43  
S/STN

Sub-Station - Sec-43  
11KV Feeder  
Proposed-1

H No-636

200 KVA.



200 KVA.  
PROPOSED  
H NO 602



672

200KVA.  
Opp.H NO



652

200KVA.  
Opp.H NO

200KVA.  
H NO 490



200 KVA. Pro.  
Near H No-723



200 KVA. Prop.  
Near H No-509

Loop to Sec.43  
Near Plot No 756

200 KVA.  
Near H No-558



200 KVA.  
Near H No-542

200 KVA. Prop.  
Near H No-280



100 KVA.  
Opp. H No-90

200 KVA.  
Near H No-148



200 KVA. Prop.  
Near H No-30

200 KVA. Prop.  
Near H No-395



200 KVA.  
H No-20

200 KVA. Prop.  
Near H No-24



200 KVA.  
H No-2



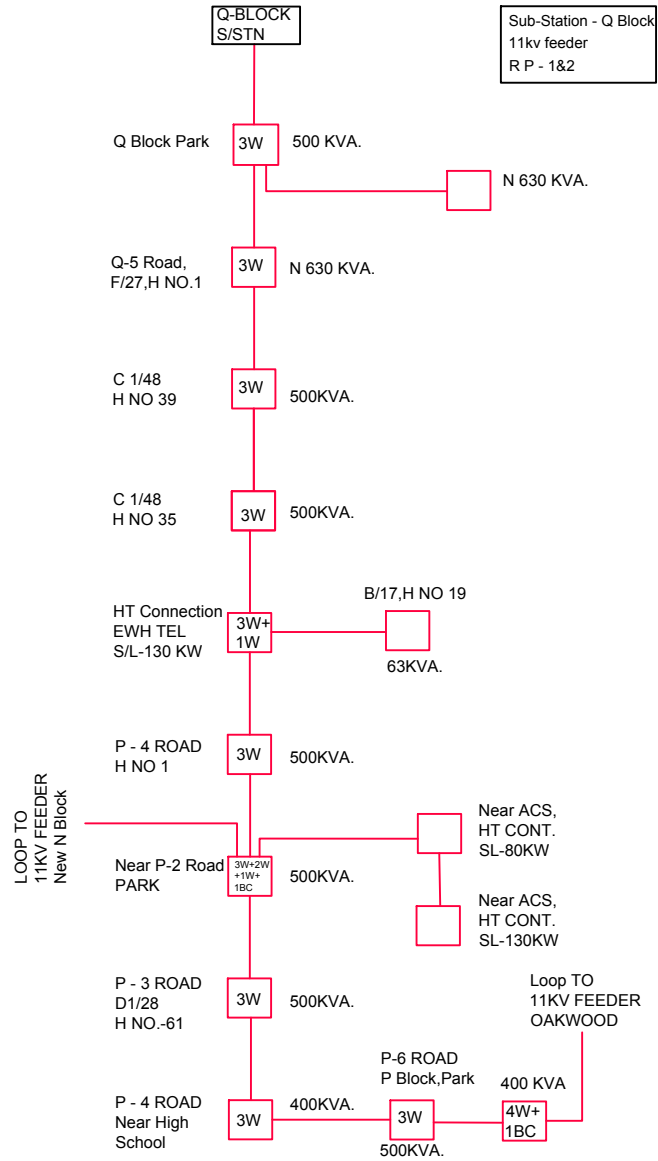
HT CONN.  
SL-120KW

Sub-Station  
Sec-43

Sub-Station - Sec-43  
11KV Feeder Roop  
Ram

3W HT Connection  
Lancer School

Loop To  
11kv Feeder  
South Point Mall

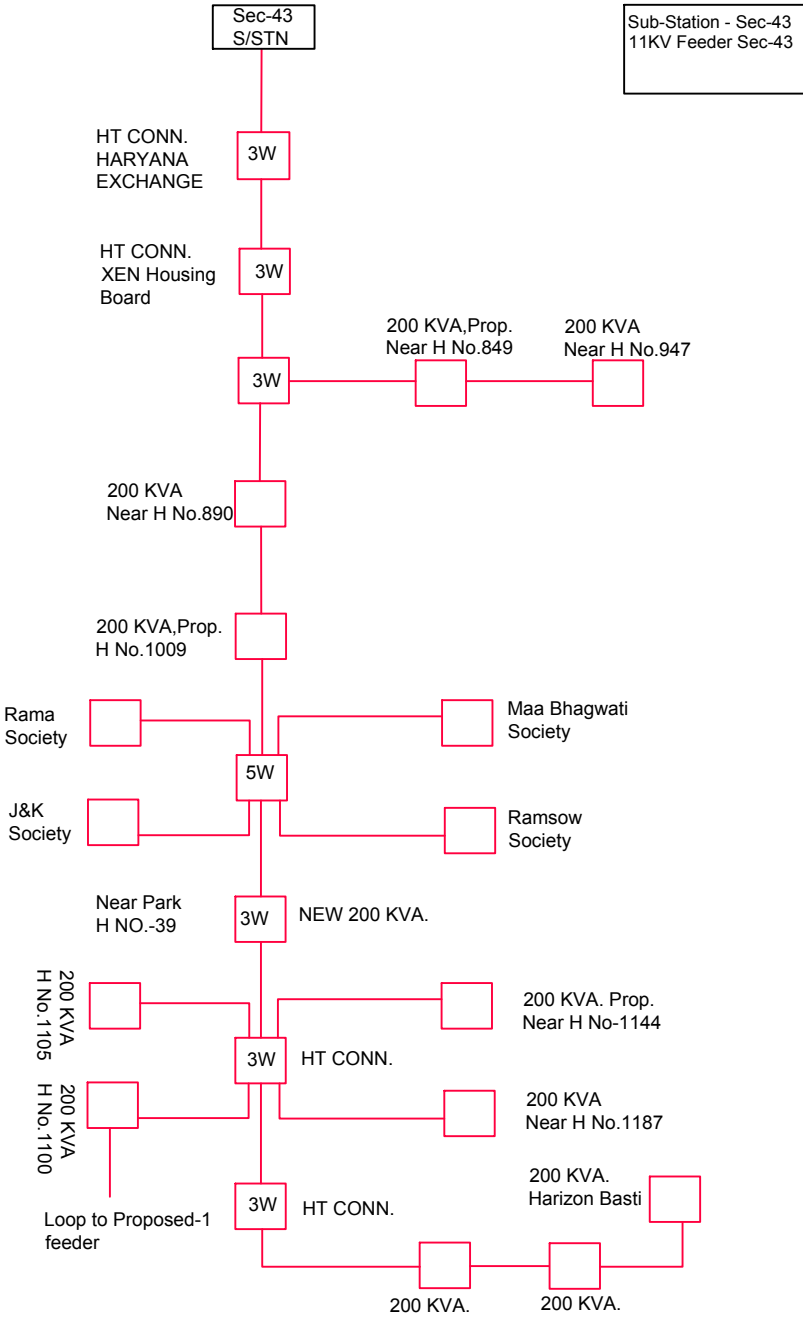


Sub-Station - Q Block  
11kv feeder  
R P - 1&2

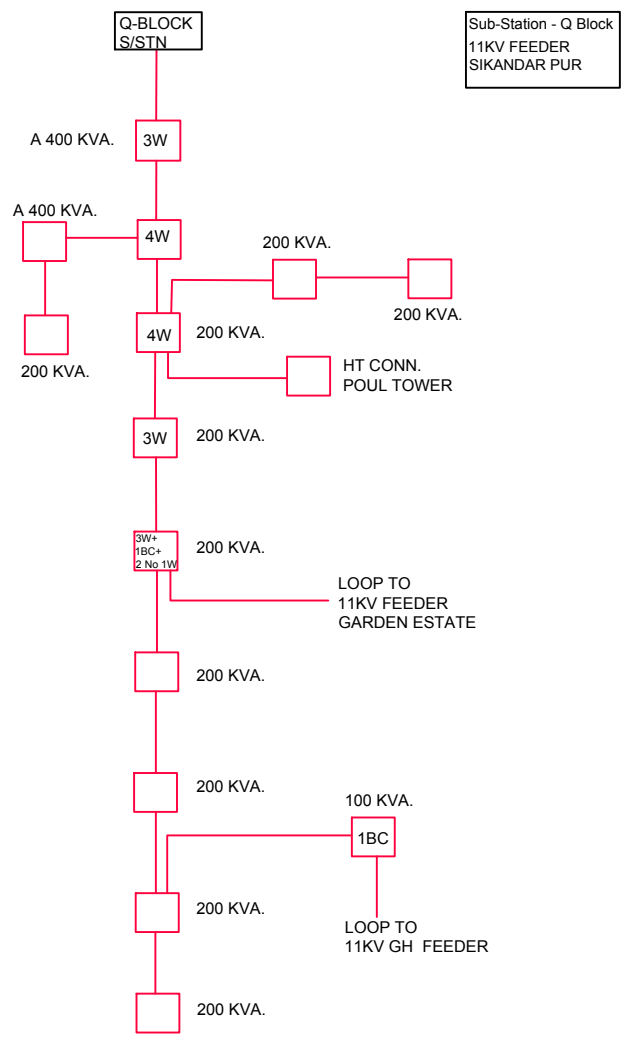
Proposed Network	
Description of Item	Quantity
E 630KVA	
E 400KVA/500KVA	
E 200KVA/315KVA	
RMU 2 W	
RMU 3 W (2I)	
RMU 4 W (2I+2B)	
RMU 5 W (2I+3B)	
11 KV 3x400mm²Cable	
11 KV 3x300mm²Cable	
11 KV 3x120mm²Cable	

Transformers to be Dismantled	No.
T/F 200KVA/315KVA	
T/F 400KVA/500KVA	
T/F 630KVA	



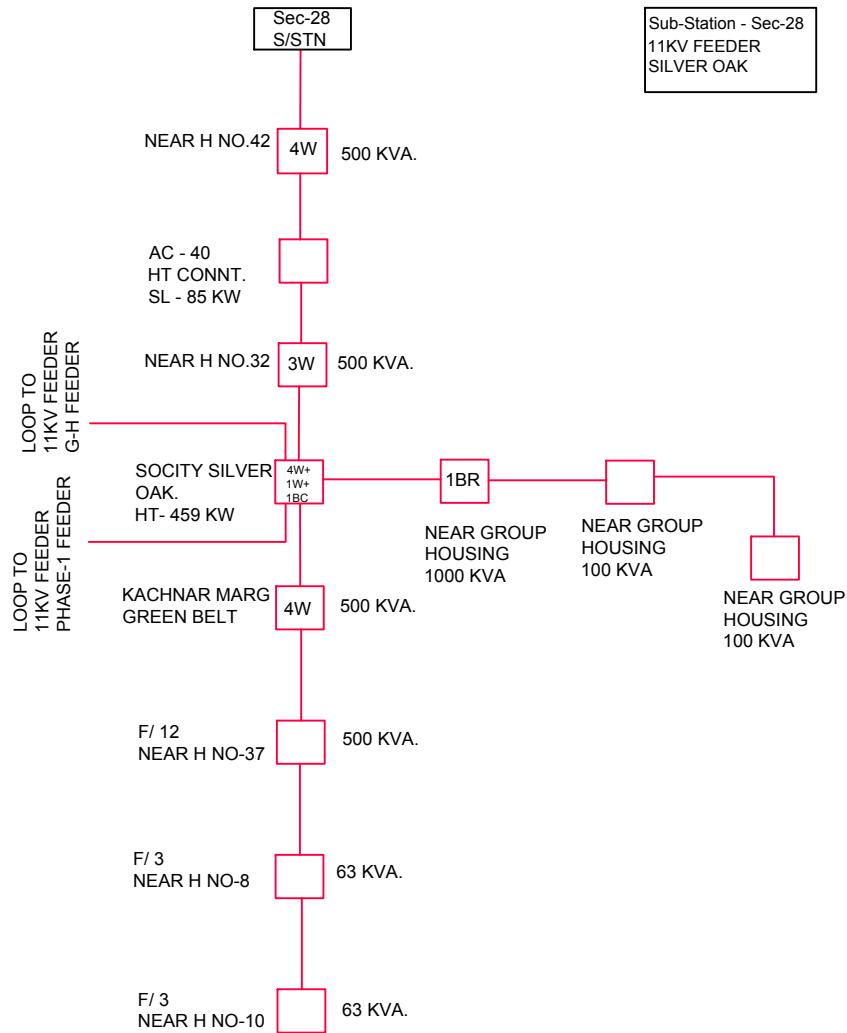






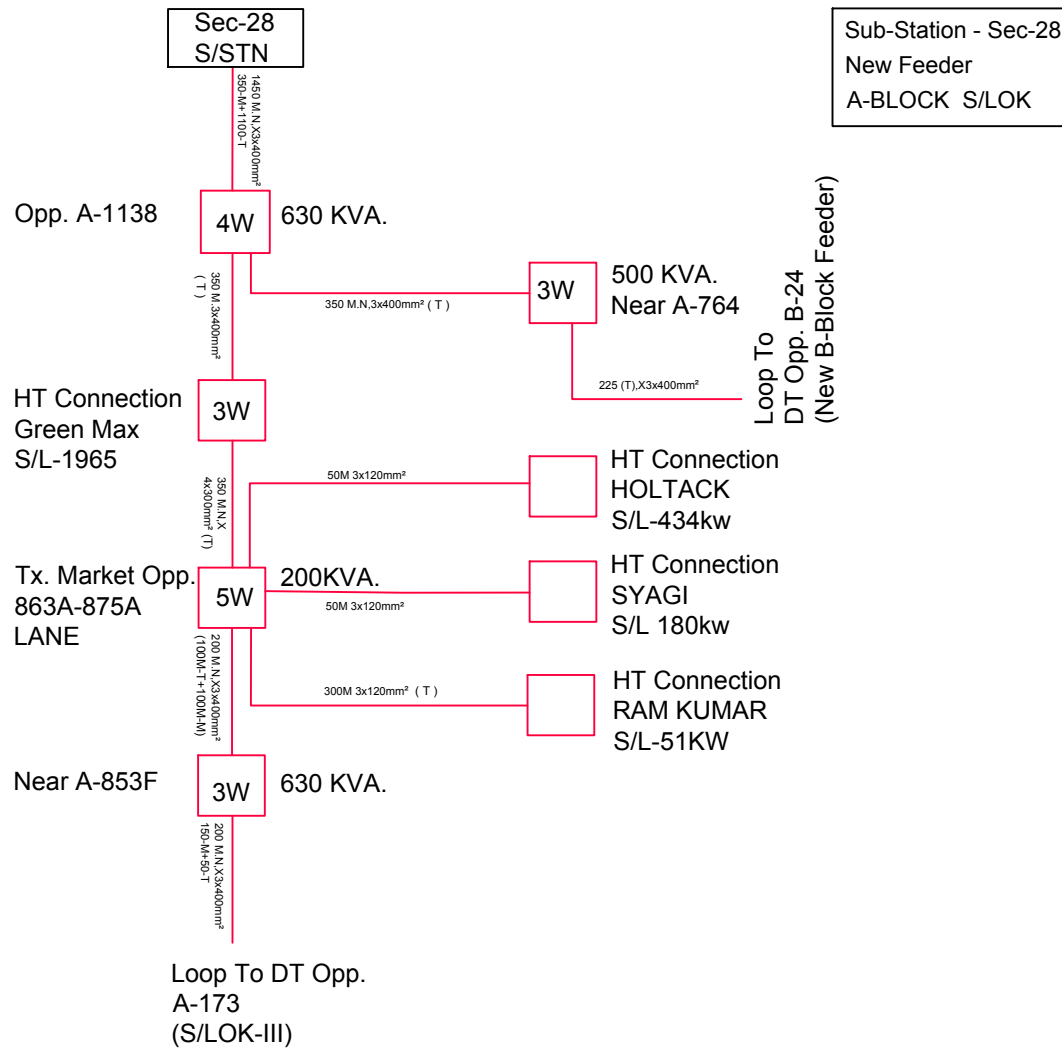
Proposed Network	
Description of Item	Quantity
E/N 630KVA	
E 400KVA/500KVA	
E 200KVA/315KVA	
RMU 1 W	
RMU 3 W (2I)	
RMU 4 W (2I+2B)	
RMU 5 W (2I+3B)	
11 KV 3x400mm*Cable	
11 KV 3x300mm*Cable	
11 KV 3x120mm*Cable	

Transformers to be Dismantalled	No.
T/F 200KVA/315KVA	
T/F 400KVA/500KVA	
T/F 630KVA	



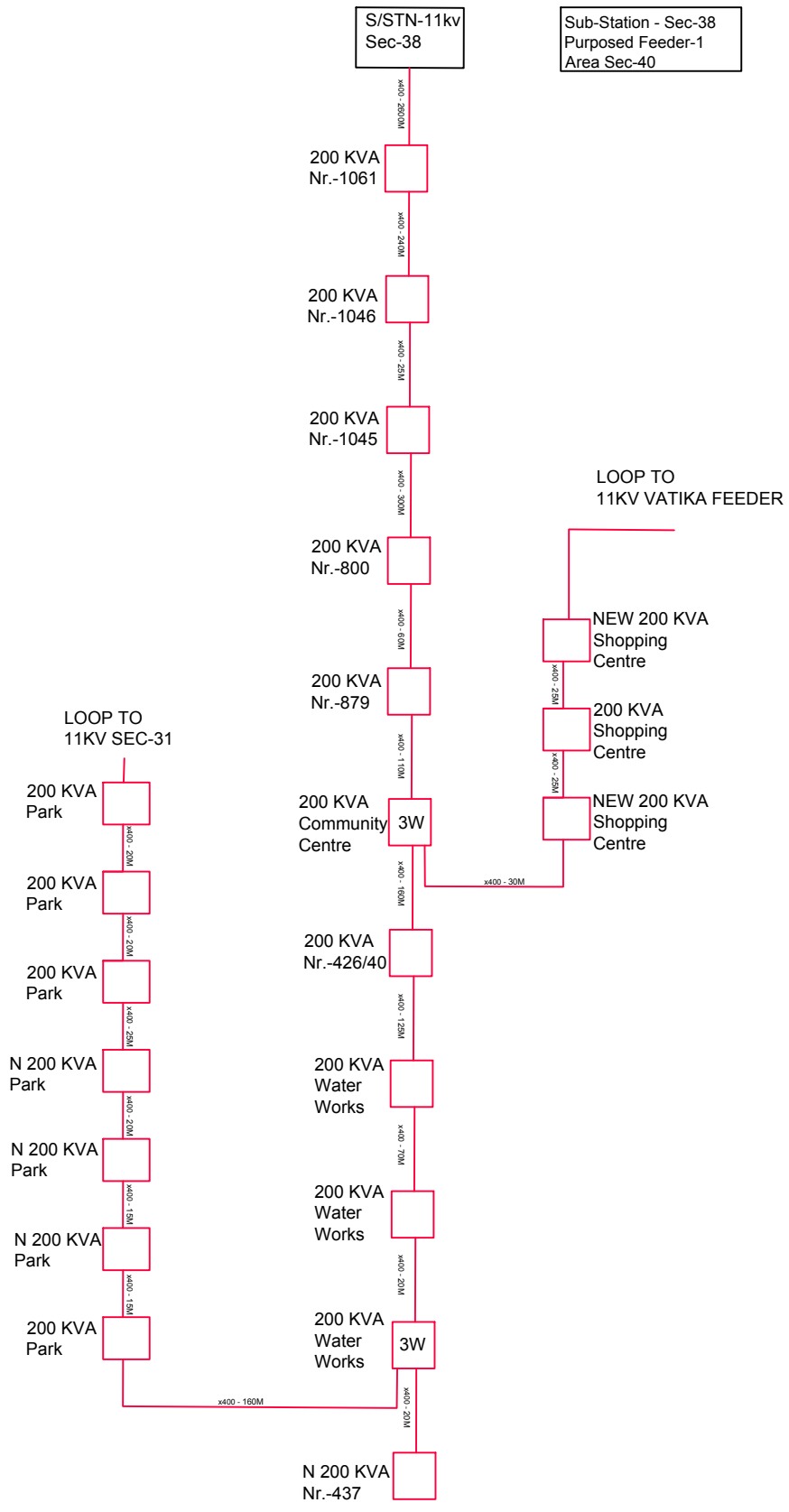
Proposed Network	
Description of Item	Quantity
E/N 630KVA	
E 400KVA/500KVA	
E 200KVA/315KVA	
RMU 1 W	
RMU 3 W (2I)	
RMU 4 W (2I+2B)	
RMU 5 W (2I+3B)	
11 KV 3x400mm²Cable	
11 KV 3x300mm²Cable	
11 KV 3x120mm²Cable	

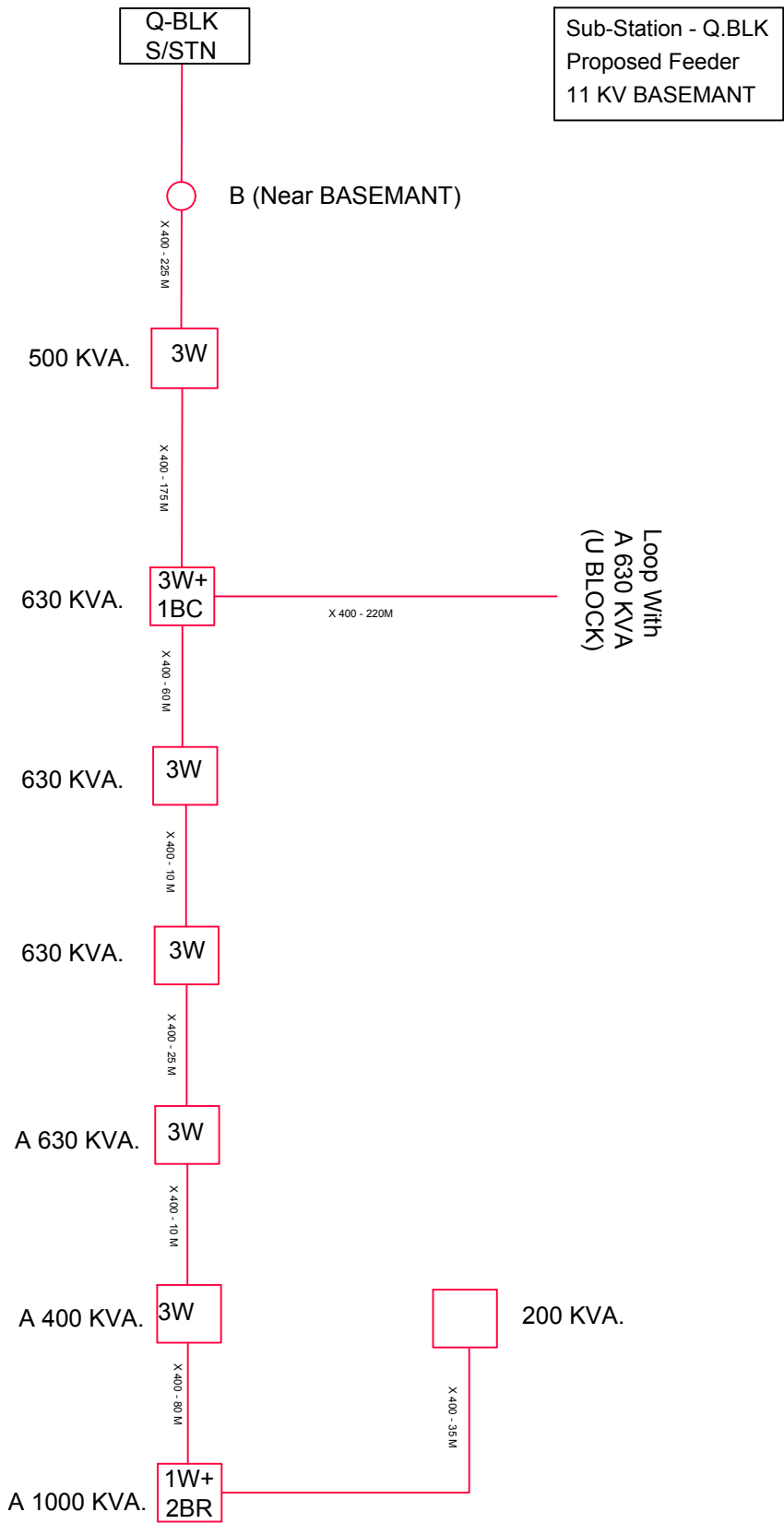
Transformers to be Dismantalled	No.
T/F 200KVA/315KVA	
T/F 400KVA/500KVA	
T/F 630KVA	

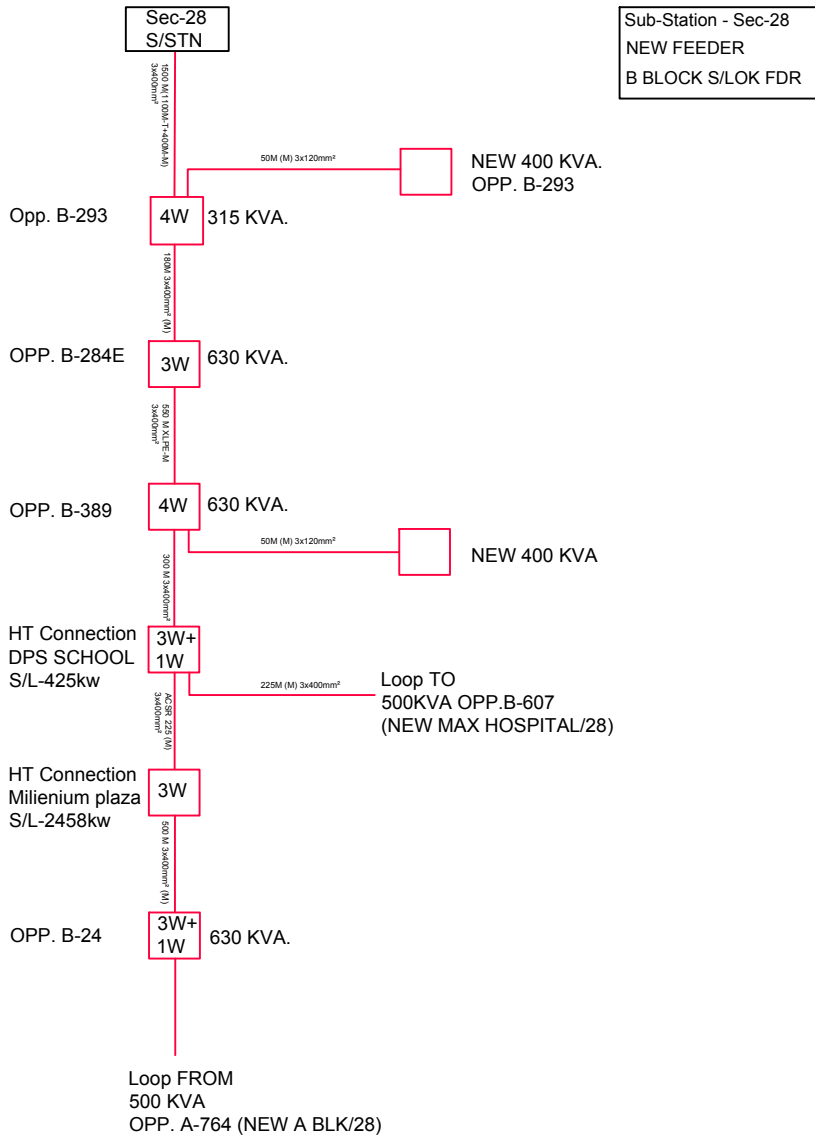


Proposed Network	
Description of Item	Quantity
E 630KVA	02
E 400KVA/500KVA	01
E 200KVA/315KVA	01
RMU 2 W	
RMU 3 W (2I)	03
RMU 4 W (2I+2B)	01
RMU 5 W (2I+3B)	01
11 KV 3x400mm²Cable	2900(2300T+600M)
11 KV 3x300mm²Cable	
11 KV 3x120mm²Cable	400 T

Transformers to be Dismantalled	No.
T/F 200KVA/315KVA	NIL
T/F 400KVA/500KVA	NIL
T/F 630KVA	NIL







Proposed Network	
Description of Item	Quantity
E 630KVA	03
N 400KVA/500KVA	02/00
E 200KVA/315KVA	00/01
RMU 1 W	02
RMU 3 W (2I)	04
RMU 4 W (2I+2B)	02
RMU 5 W (2I+3B)	
11 KV 3x400mm²Cable	3430(3030M+400T)
11 KV 3x300mm²Cable	
11 KV 3x120mm²Cable	325M

Transformers to be Dismantalled	No.
T/F 200KVA/315KVA	NIL
T/F 400KVA/500KVA	NIL
T/F 630KVA	NIL



Q-BLK  
S/STN

Sub-Station - Q.BLK  
Proposed Feeder  
CORPORATE PARK

X 300 -



A (Near Corporate Park)

X 400 - 146 M

HT Connection  
Corporate Park  
S/STN 3207

3W

X 400 - 85M

200 KVA

X 400 - 130M

X 400 - 80M

HT Connection  
ARUN, S/L-55KW

HT Connection  
Kulvinder, S/L-75.8KW

X 400 - 270M

5W+  
3BR

X 400 - 95M

HT Connection  
Neelkanth, S/L-249KW

X 400 - 145M

X 400 - 315M

X 400 - 95M

HT Connection  
ABHA, S/L-55 KW

HT Connection  
MB INFRA  
S/L-90 KW

3W

500 KVA.

X 400 - 200M

X 400 - 145M

200 KVA

HT Connection  
DLF D/E,  
S/L-111KW

3W

X 400 - 620M

HT Connection  
Stephan Hos.  
S/L-480 KW

3W+  
1BC

X 400 - 126 M

Loop With 500KVA IN  
Front S-29 (Pro. 5 B/K-2)

S/STN-66kv  
Sec - 38

Sub-Station - Sec.15-II  
11KV Feeder CR - I

X 400 - 1100M

3W

X 400 - 350M

4W

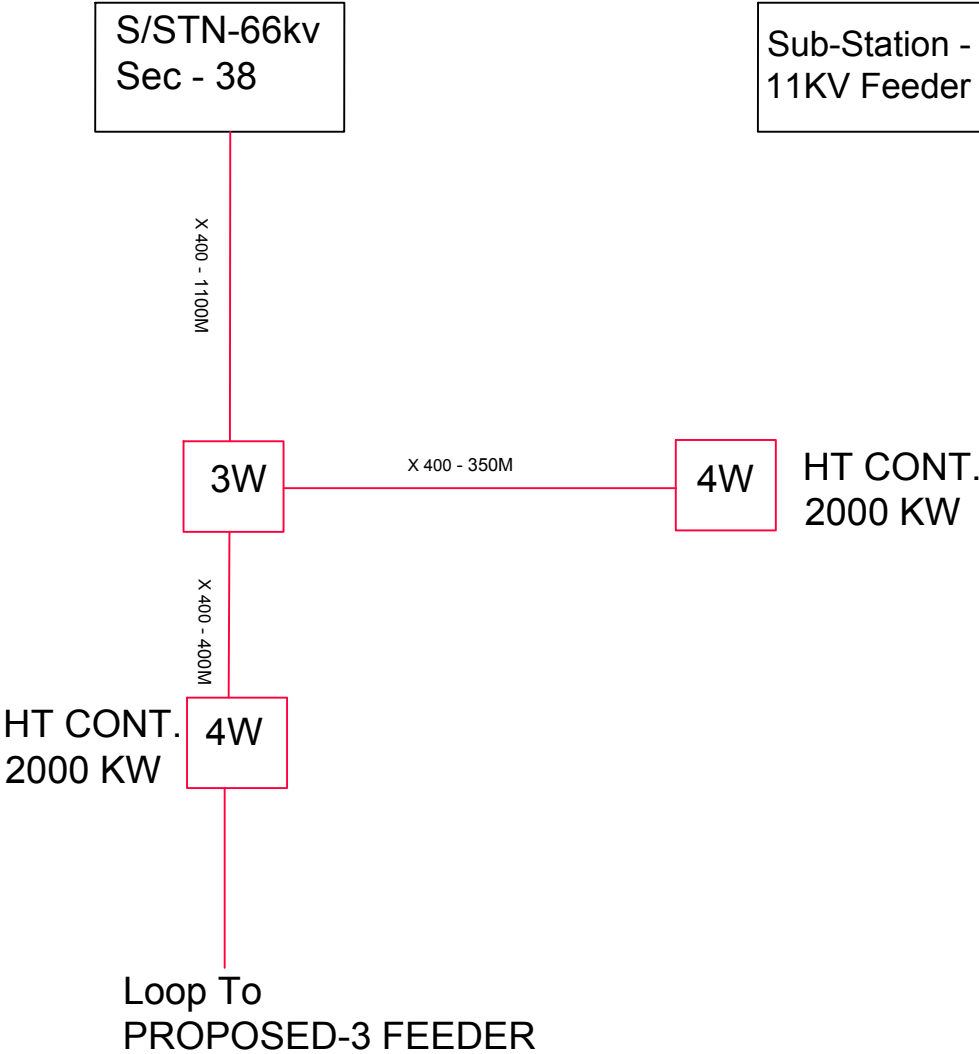
HT CONT.  
2000 KW

X 400 - 400M

HT CONT.  
2000 KW

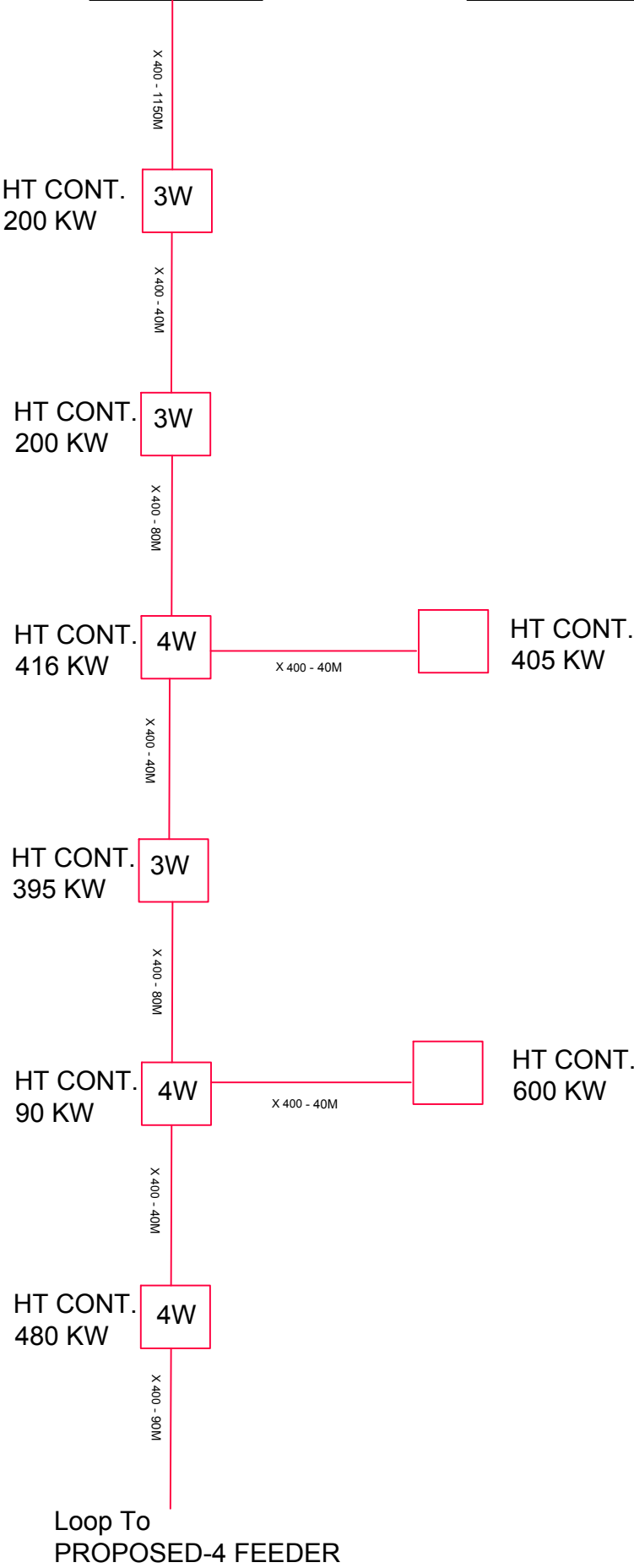
4W

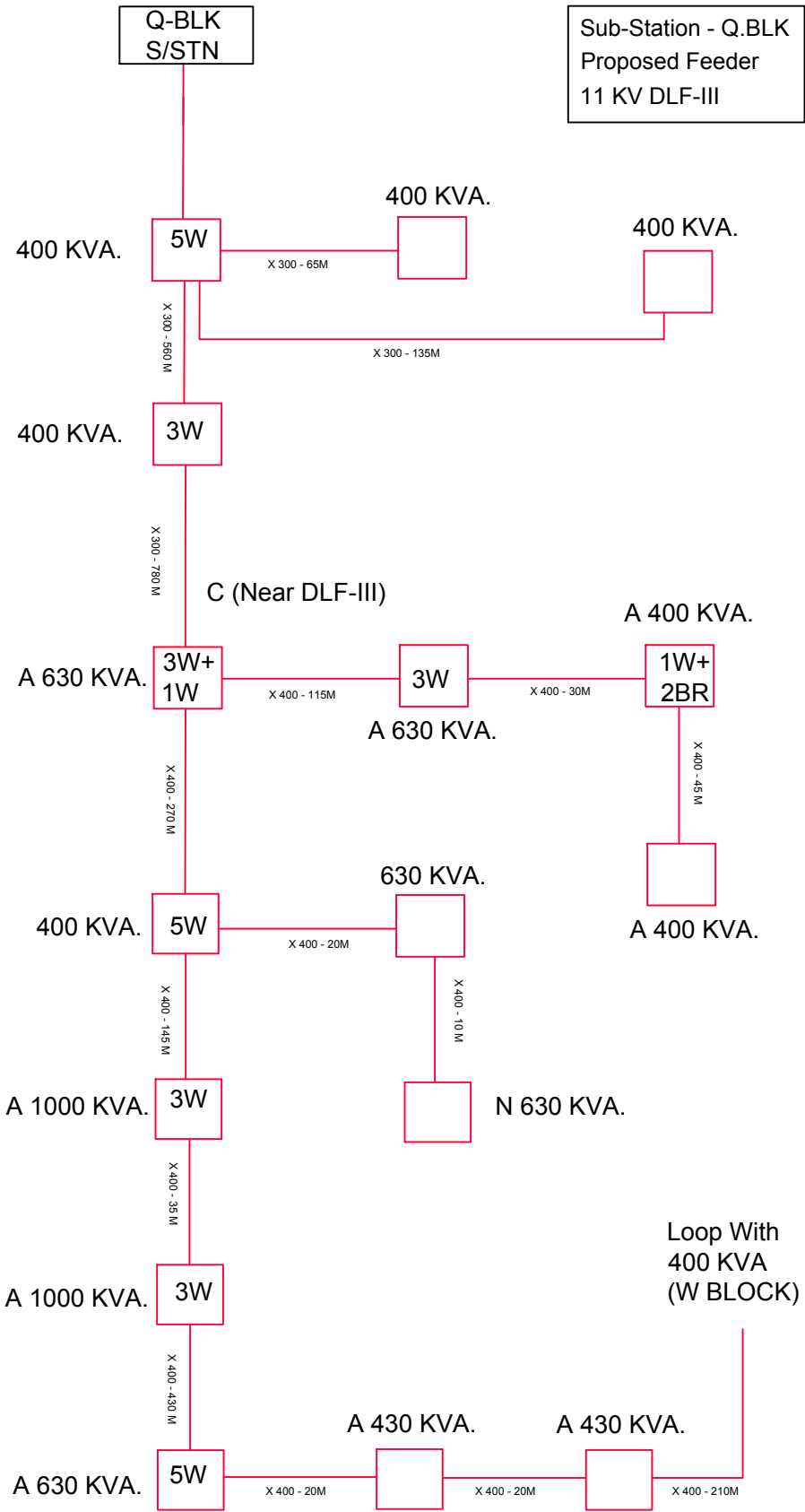
Loop To  
PROPOSED-3 FEEDER

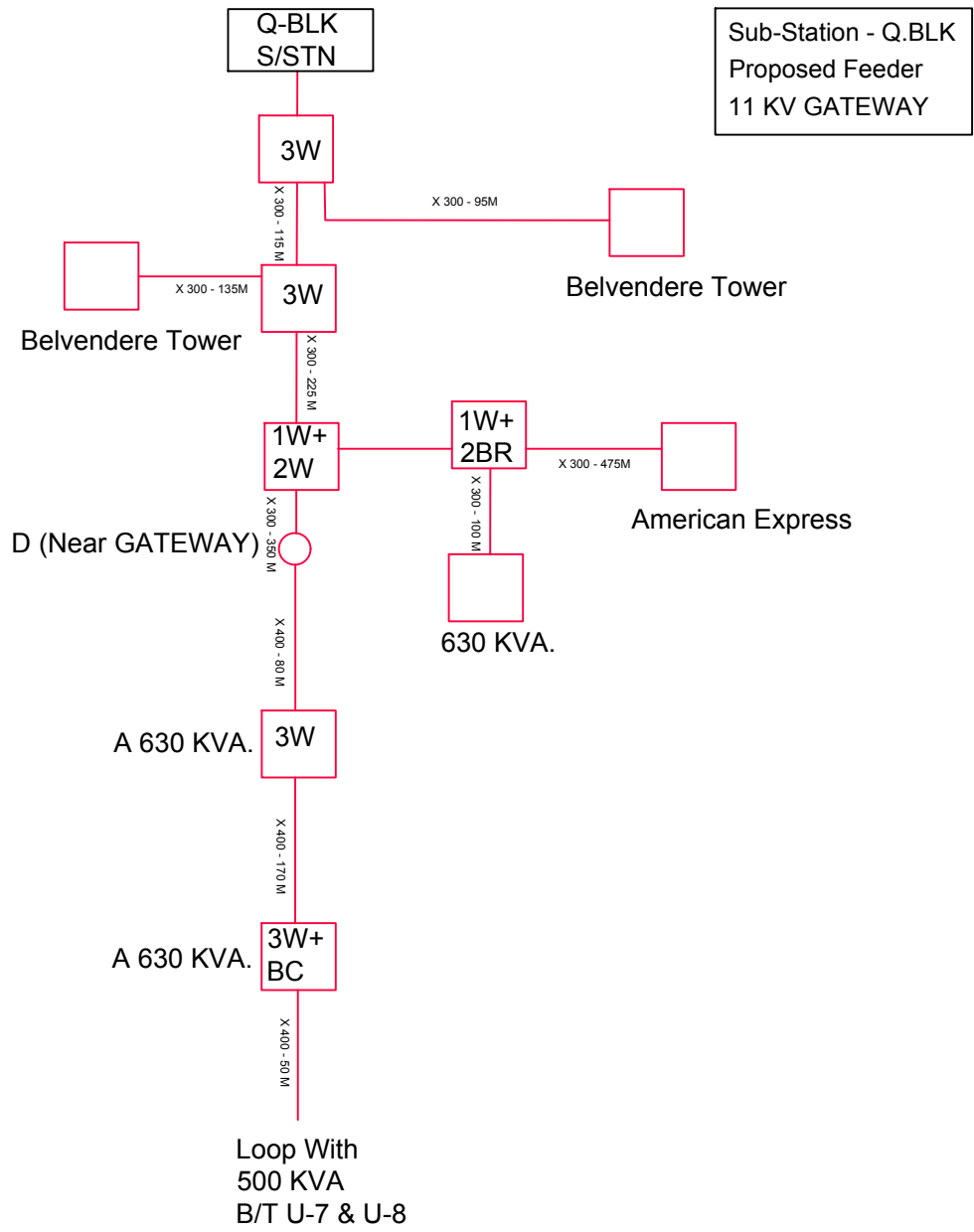


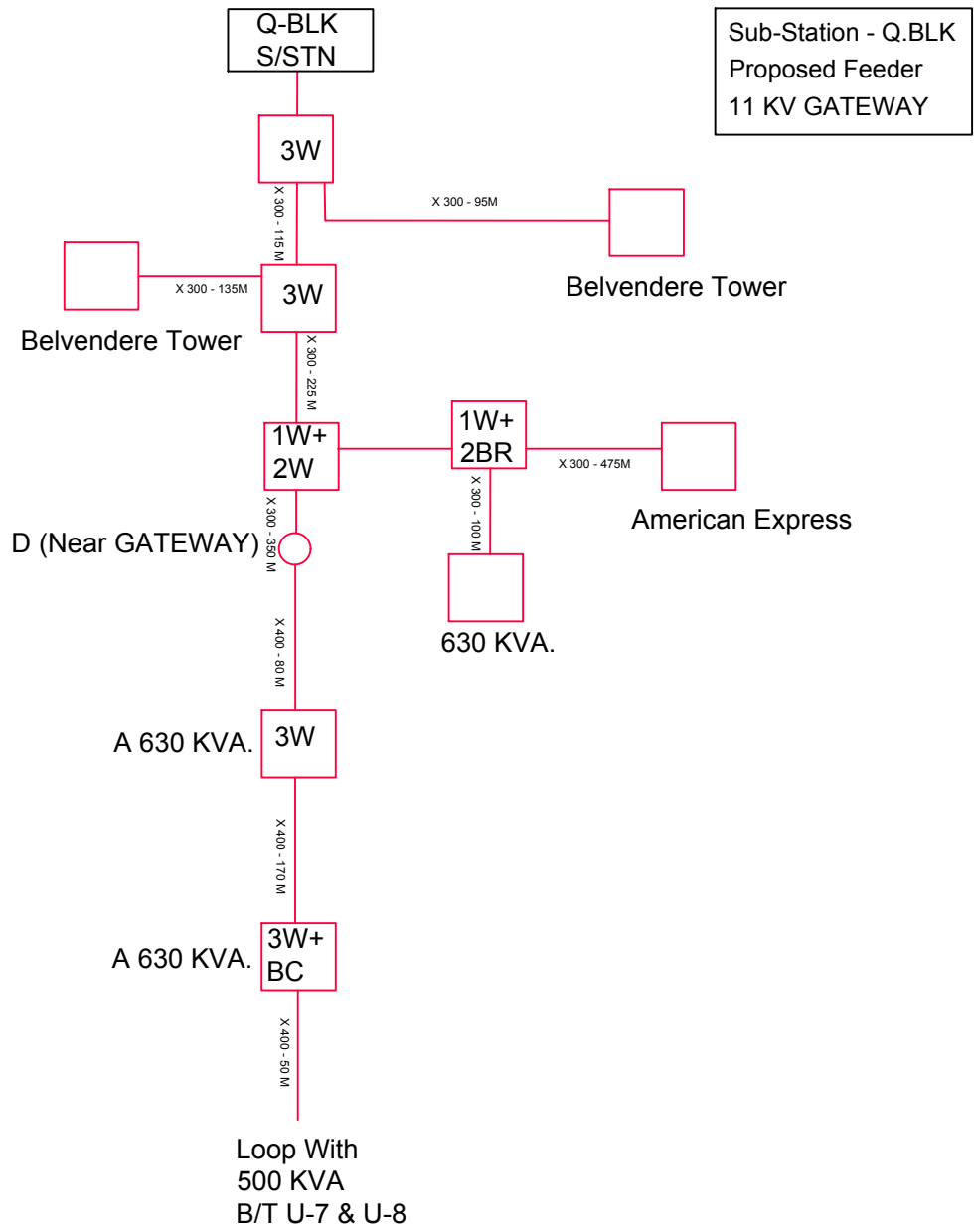
S/STN-66kv  
Sec - 38

Sub-Station - Sec.15-II  
11KV Feeder CR - II



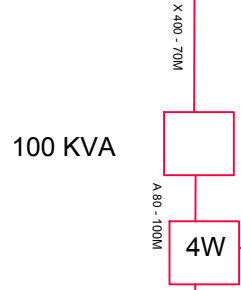
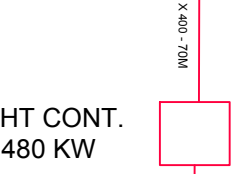
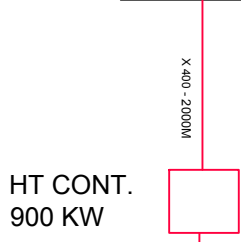




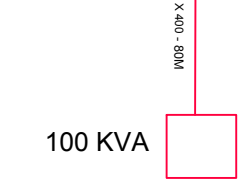
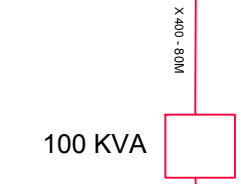
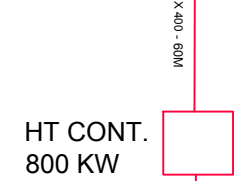
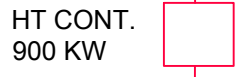
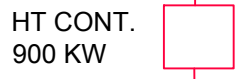


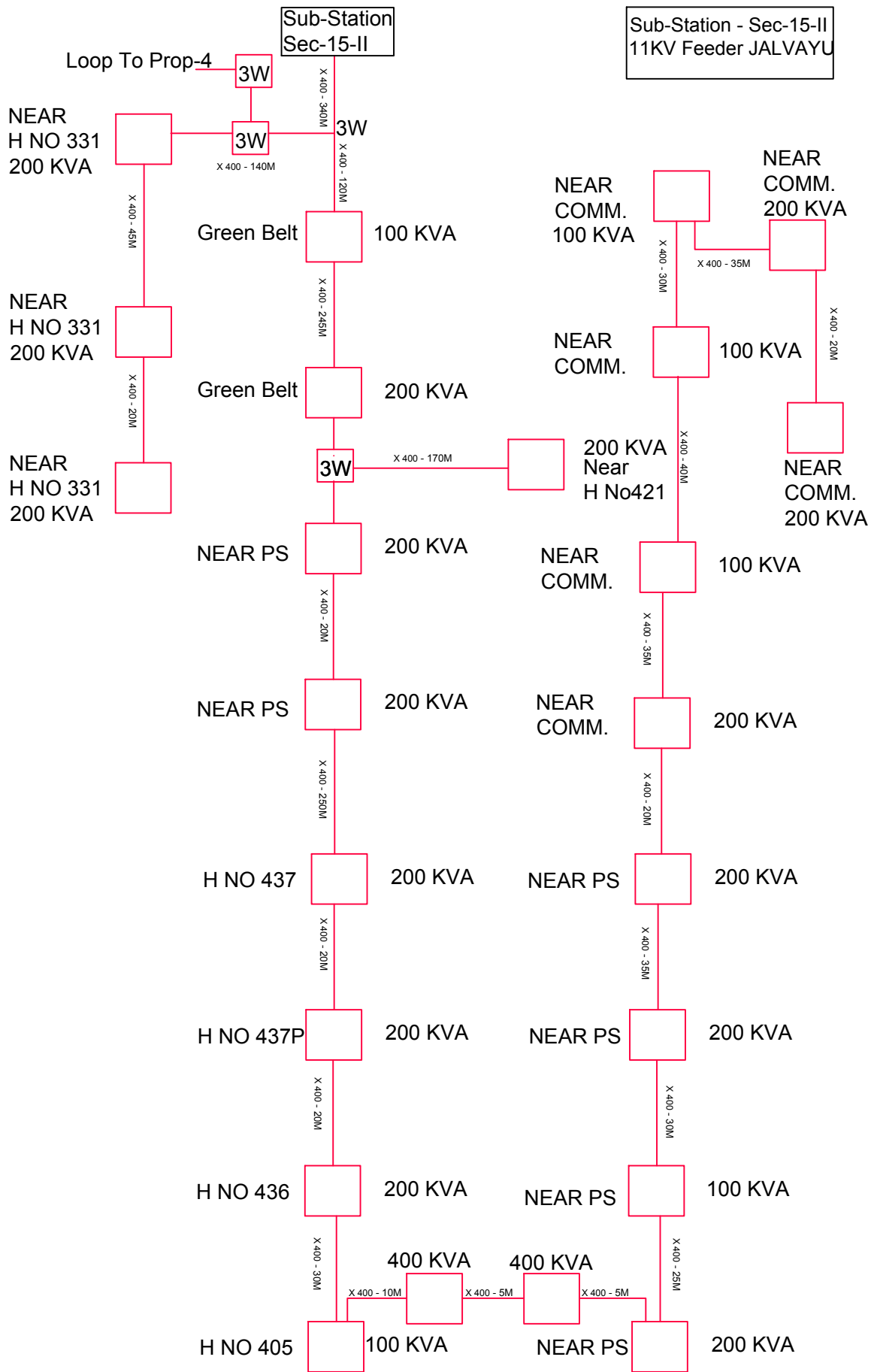
S/STN-66kv  
Sec - 38

Sub-Station - Sec.15-II  
11KV Feeder Huda  
Market

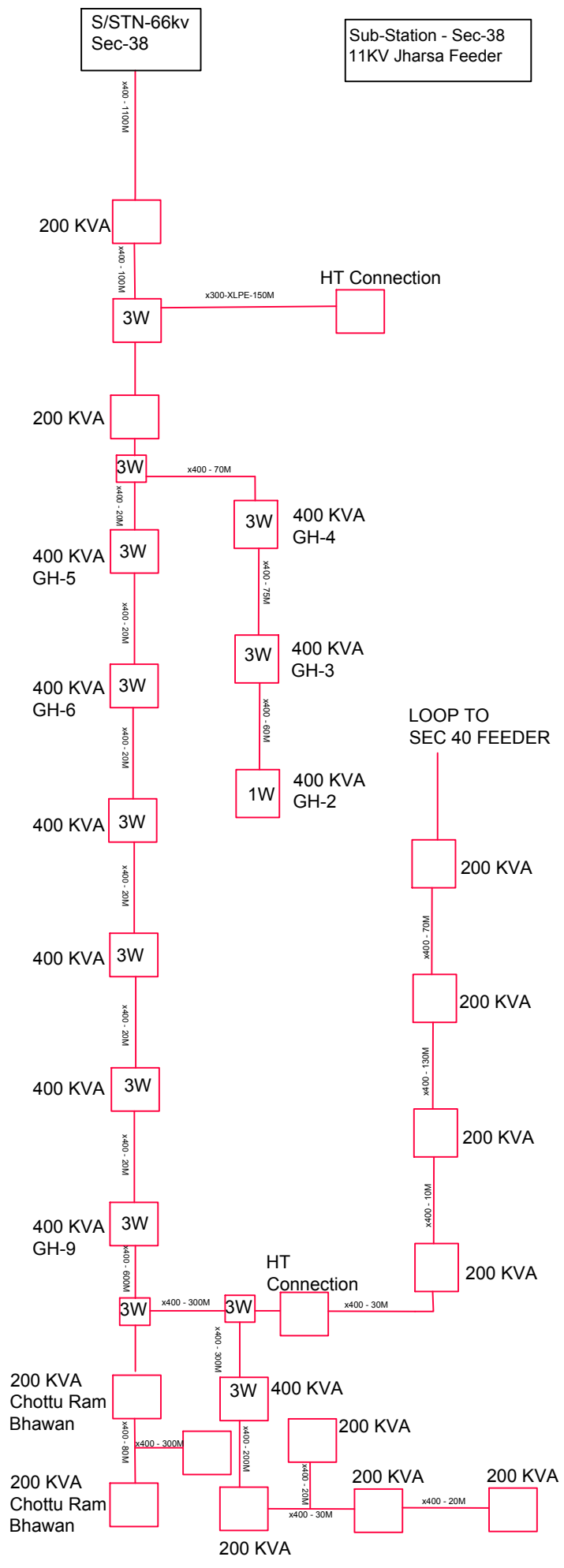


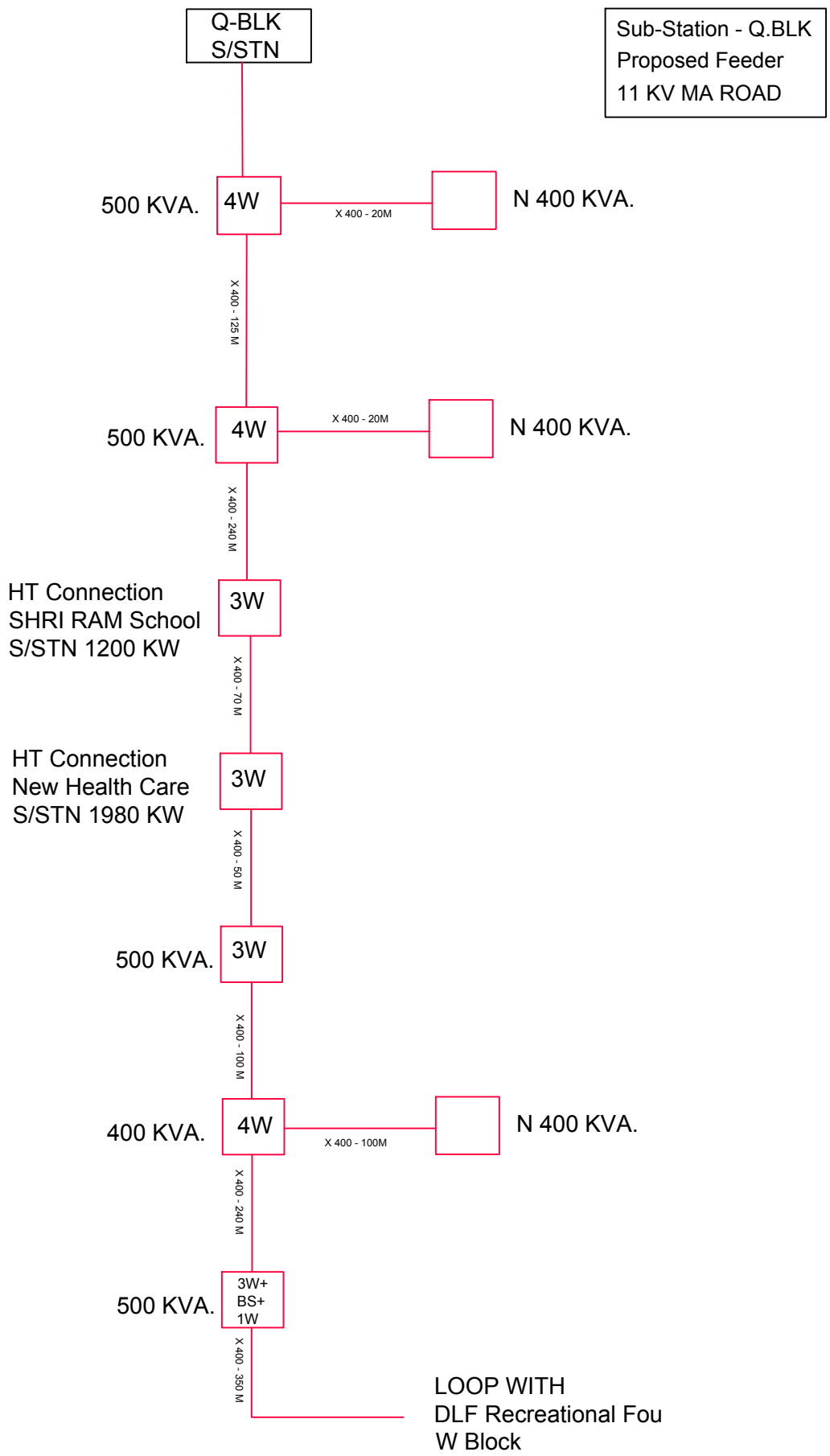
Loop To  
PROPOSED-1 FEEDER

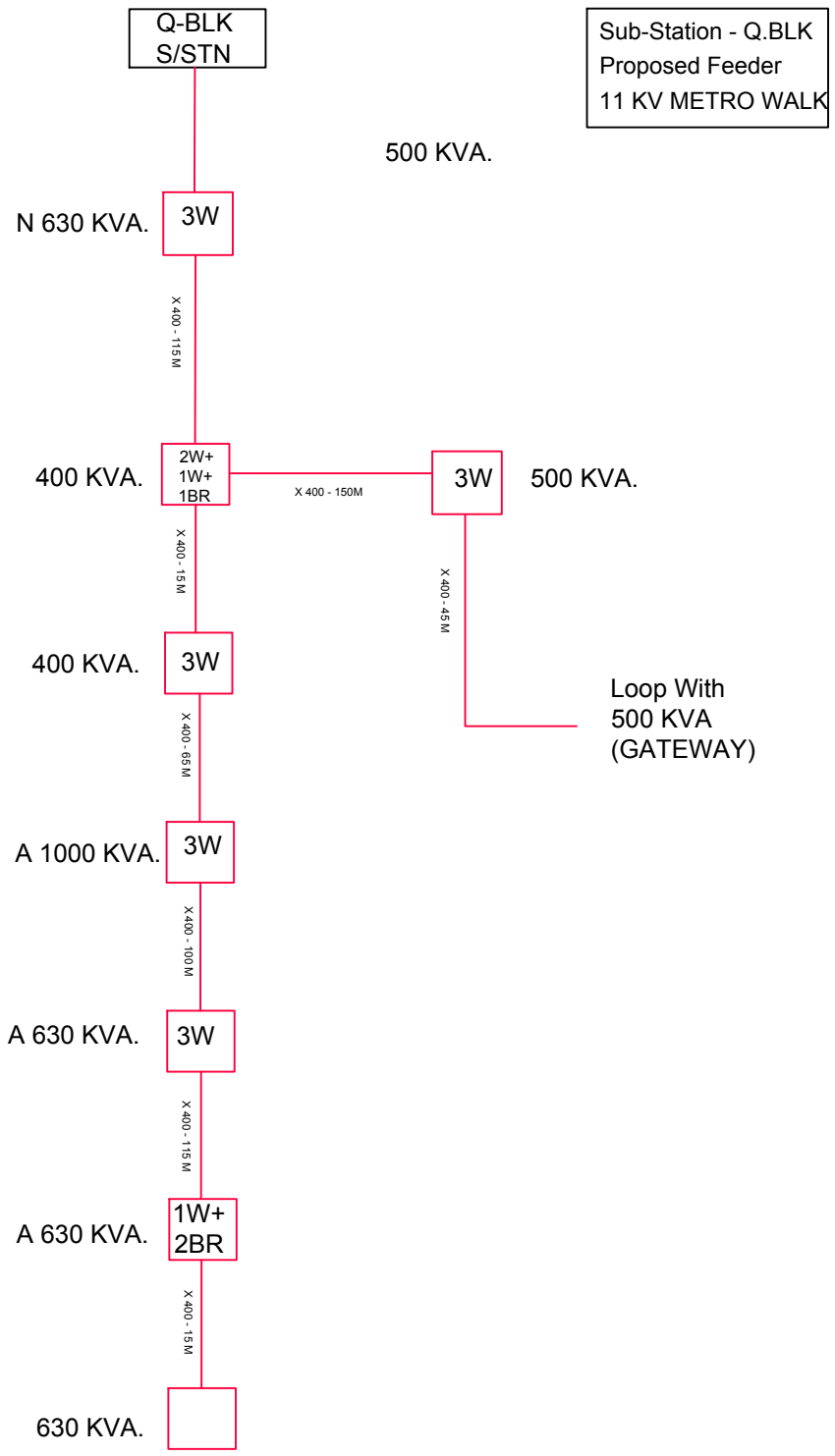












Q-BLK  
S/STN

Sub-Station - Q.BLK  
Proposed Feeder  
11 KV METRO WALK

500 KVA.

N 630 KVA.

3W

X 400 - 00P  
1511 - 115 M

400 KVA.

2W+  
1W+  
1BR

X 400 - 150M

3W

500 KVA.

X 400 - 00P  
1511 - 15 M

400 KVA.

3W

X 400 - 45M

Loop With  
500 KVA  
(GATEWAY)

X 400 - 68 M

A 1000 KVA.

3W

X 400 - 100I  
100 M

A 630 KVA.

3W

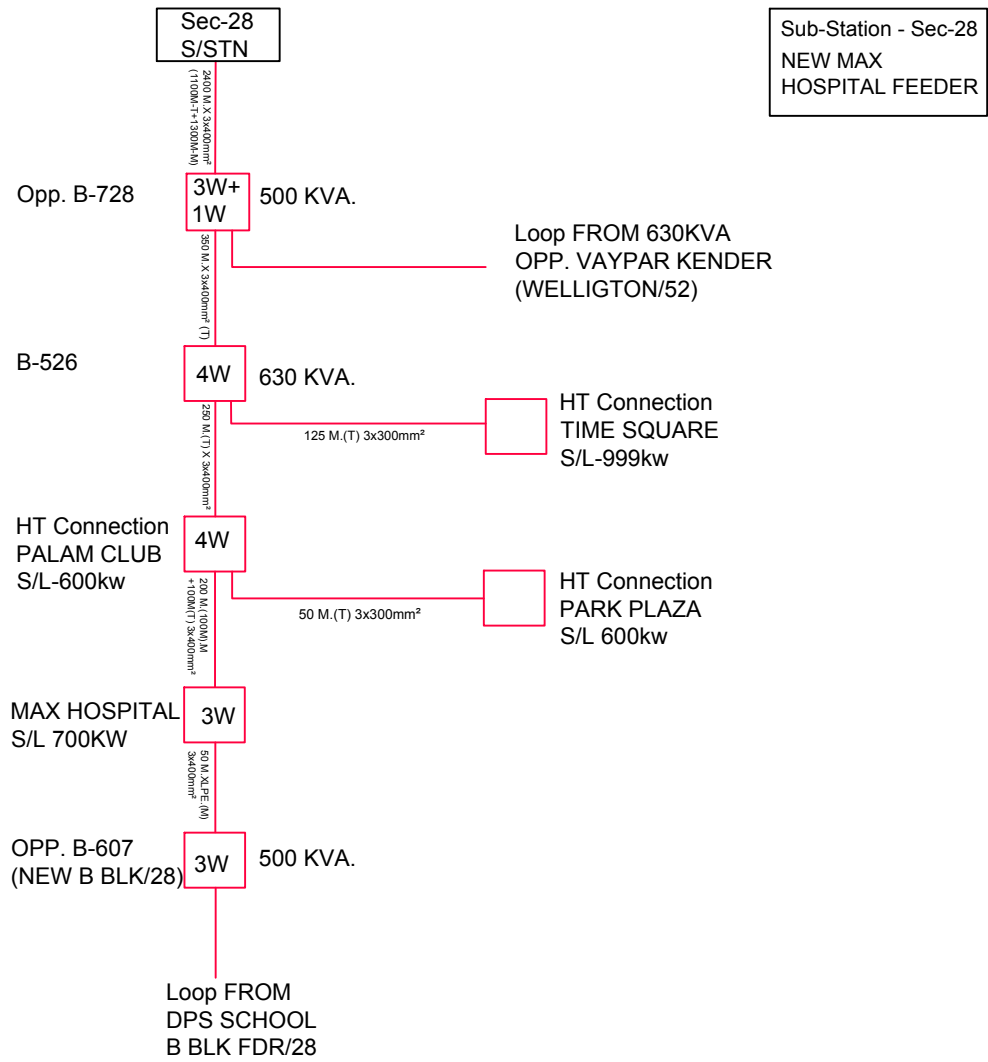
X 400 - 115 M

A 630 KVA.

1W+  
2BR

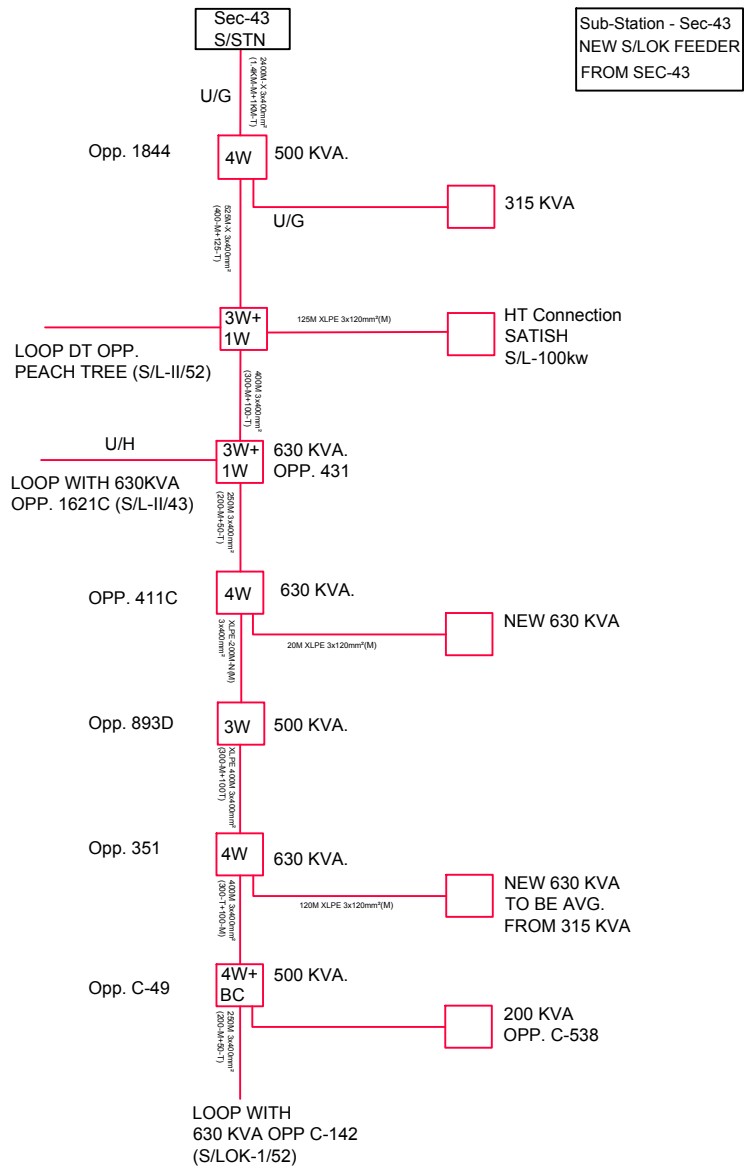
X 400 - 00P  
1511 - 15 M

630 KVA.



Proposed Network	
Description of Item	Quantity
E 630KVA	01
E 400KVA/500KVA	00/02
E 200KVA/315KVA	
RMU 1 W	01
RMU 3 W (2I)	03
RMU 4 W (2I+2B)	02
RMU 5 W (2I+3B)	
11 KV 3x400mm²Cable	2700(1450T+1250M)
11 KV 3x300mm²Cable	175 T
11 KV 3x120mm²Cable	

Transformers to be Dismantalled	No.
T/F 200KVA/315KVA	NIL
T/F 400KVA/500KVA	NIL
T/F 630KVA	NIL



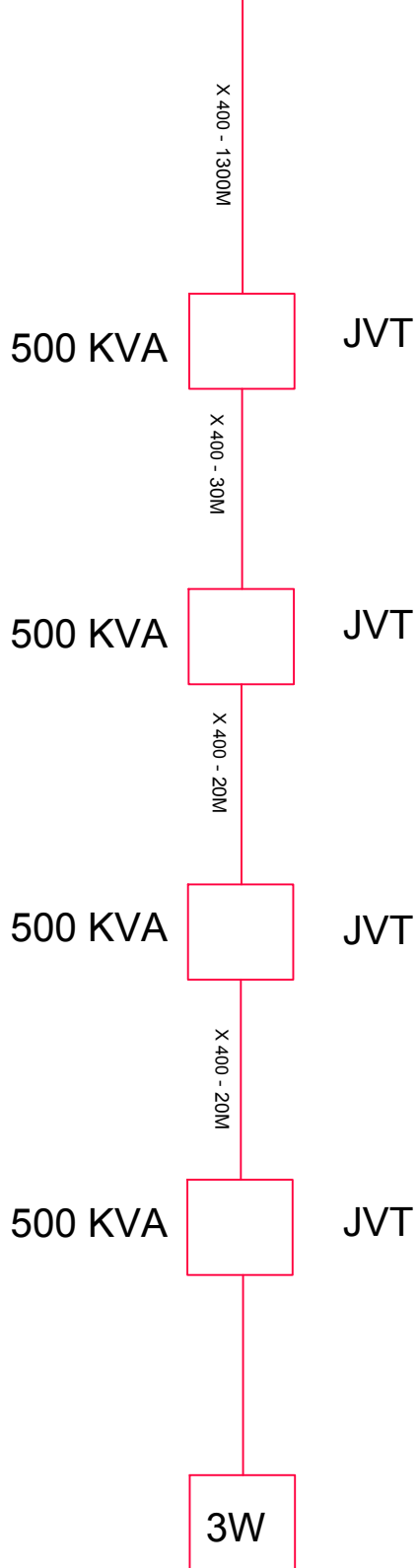
Sub-Station - Sec-43  
NEW S/LOK FEEDER  
FROM SEC-43

Proposed Network	
Description of Item	Quantity
E/N 630KVA	03/02
E 400KVA/500KVA	00/03
E 200KVA/315KVA	01/01
RMU 1 W	02
RMU 3 W (2I)	03
RMU 4 W (2I+2B)	04
RMU 5 W (2I+3B)	
11 KV 3x400mm²Cable	4825(3200M+1625T)
11 KV 3x300mm²Cable	
11 KV 3x120mm²Cable	265 (M)

Transformers to be Dismantalled	No.
T/F 200KVA/315KVA	01
T/F 400KVA/500KVA	NIL
T/F 630KVA	NIL

Sub-Station  
Sec-15-II

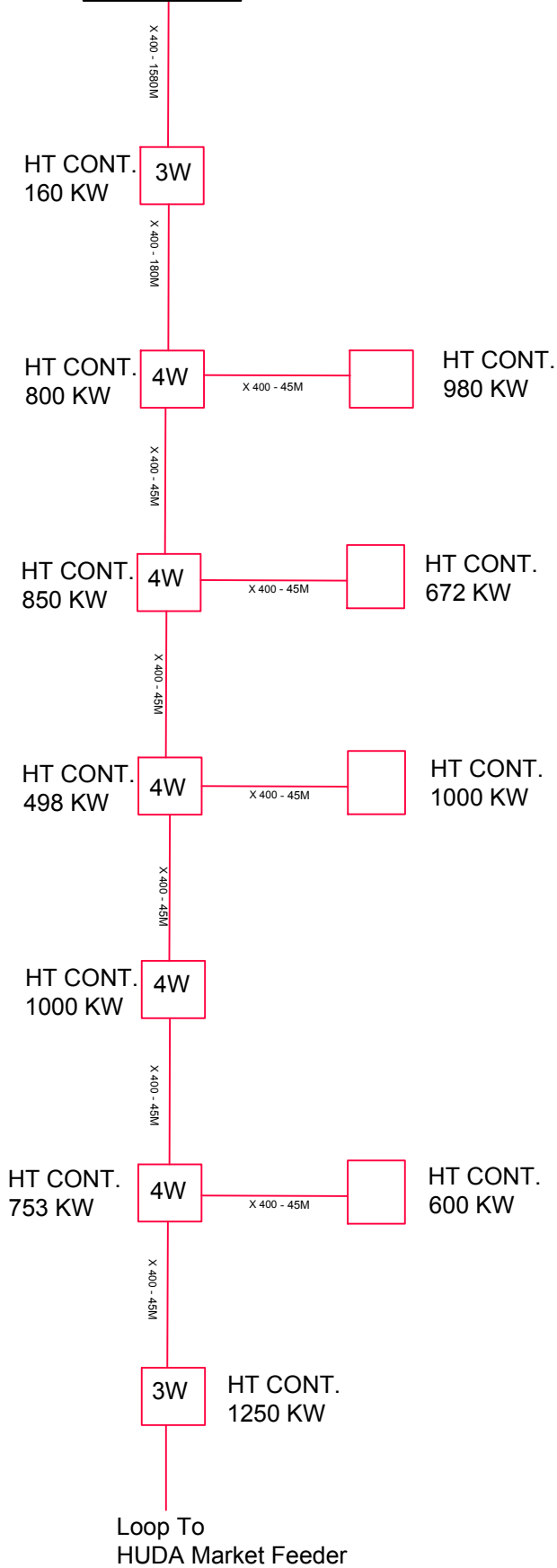
Sub-Station - Sec-15-II  
11KV Feeder Prop.- I



Loop To Existing  
11kv Sec-30

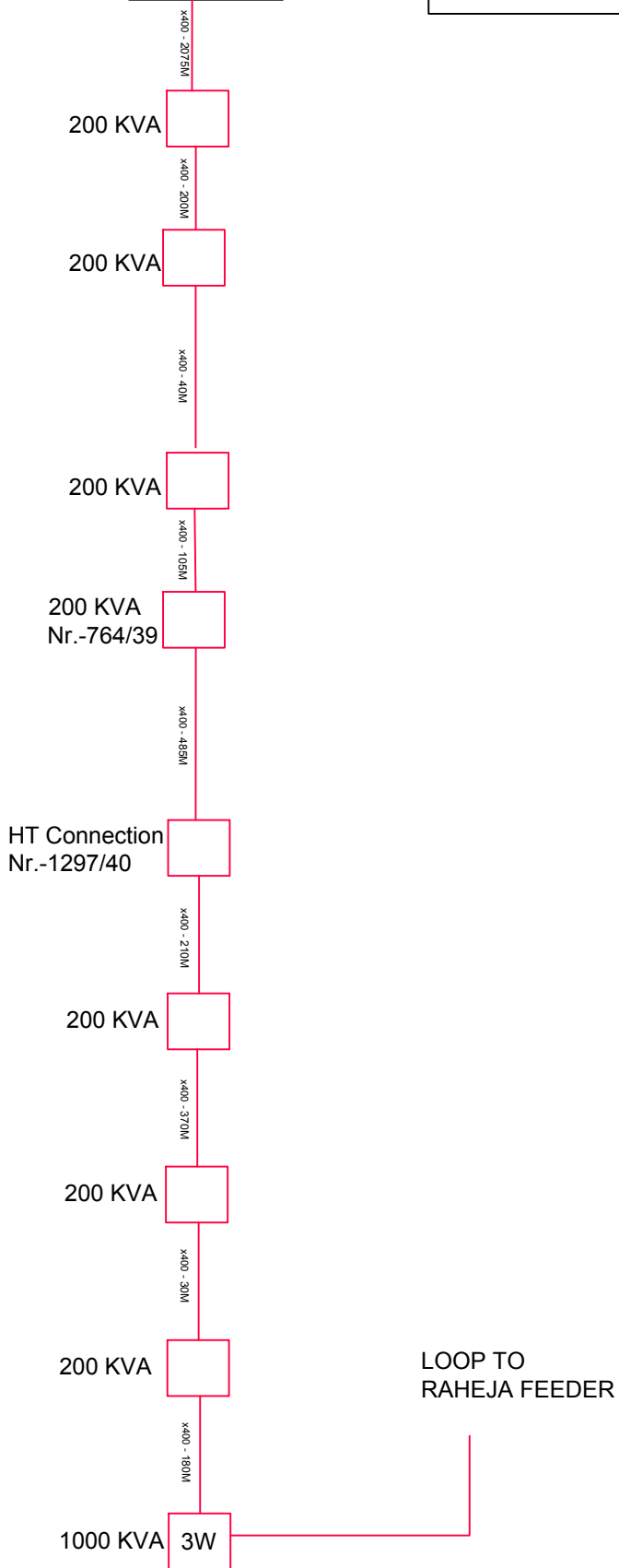
S/STN-66kv  
Sec - 38

Sub-Station - Sec.15-II  
11KV Feeder Prop.- 1



S/STN-66kv  
Sec-38

Sub-Station - Sec-38  
11KV Purposed-1 Feeder

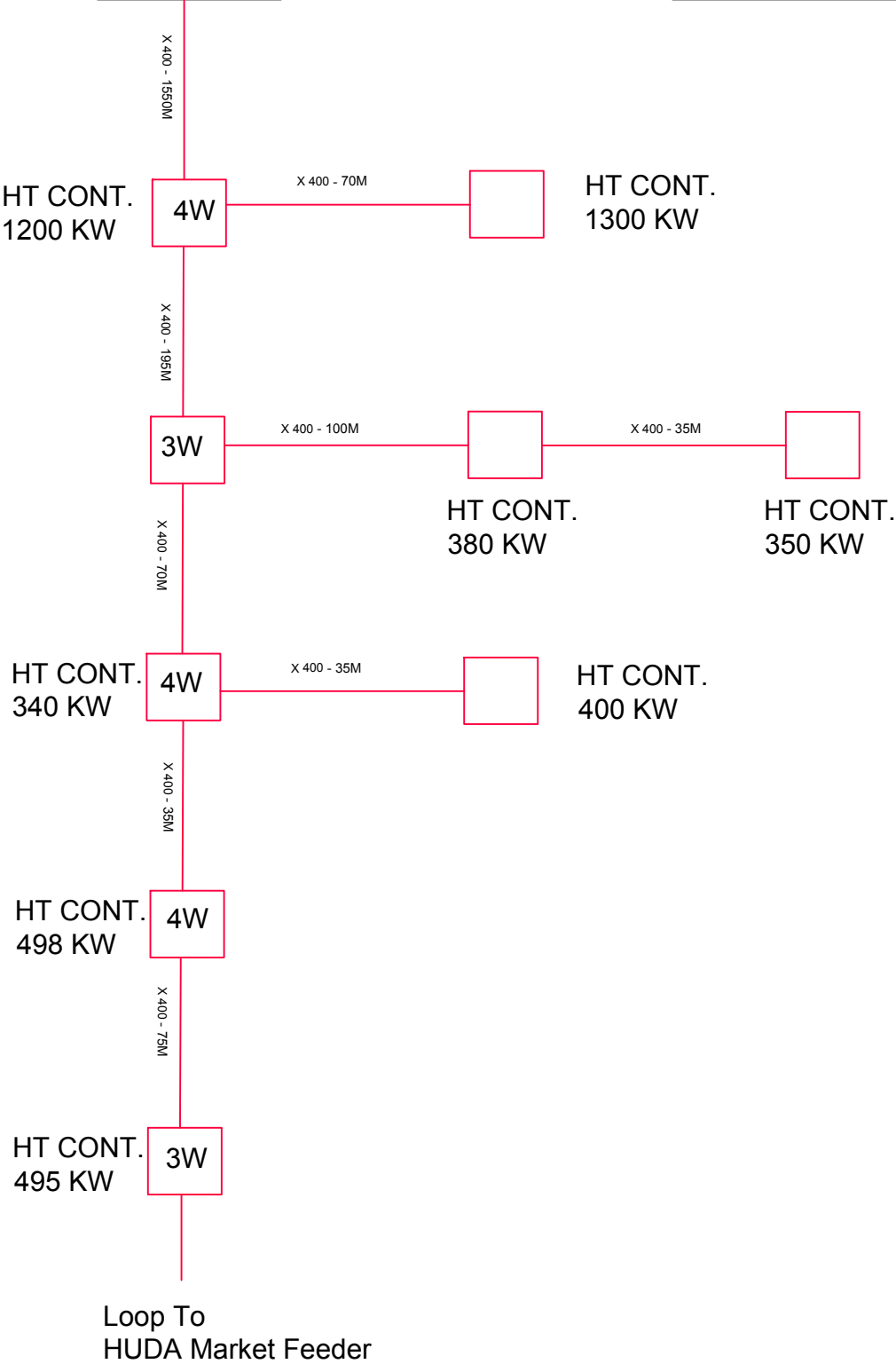






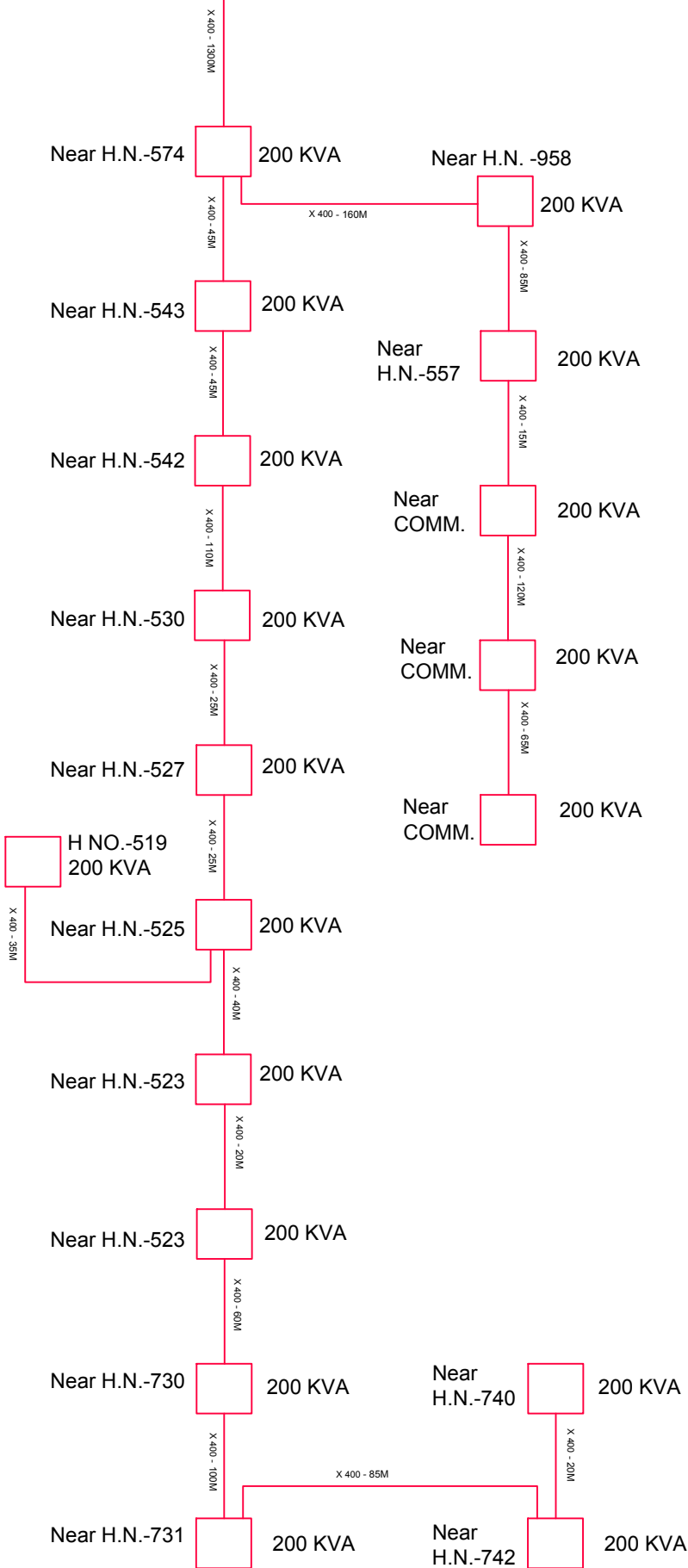
S/STN-66kv  
Sec - 38

Sub-Station - Sec.15-II  
11KV Feeder Prop.-2



Sub-Station  
Sec-15-II

Sub-Station - Sec-15-II  
11KV Feeder Prop.- 3



S/STN-66kv  
Sec - 38

Sub-Station - Sec.15-II  
11KV Feeder Prop.-3

X 400 - 1250M

HT CONT. 1000 KW  
3W

X 400 - 100M

HT CONT. 610 KW  
3W

X 400 - 100M

HT CONT. 960 KW  
3W

Loop To  
CR-1 Feeder

Sub-Station  
Sec-15-II

X 400 - 320M

RAHEJA

3W

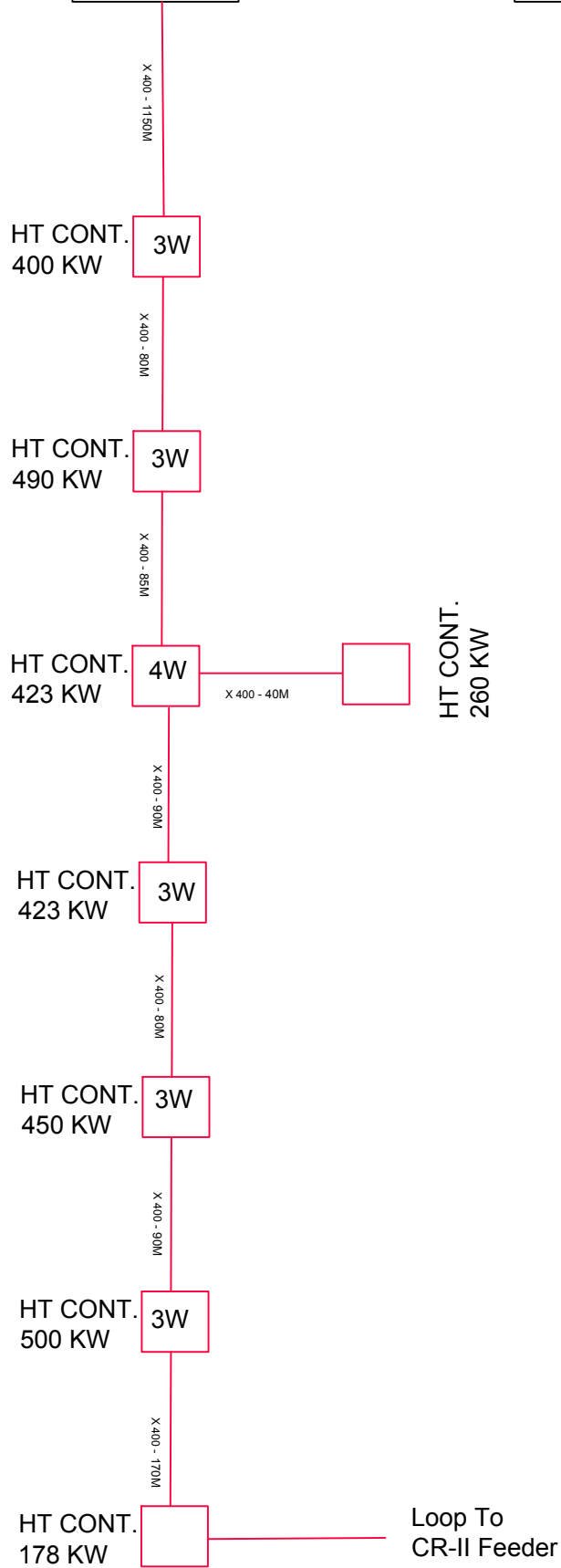
HT CONT.

Loop To Existing  
11kv Jalvayu Vihar

Sub-Station - Sec-15-II  
11KV Feeder Prop.- 4

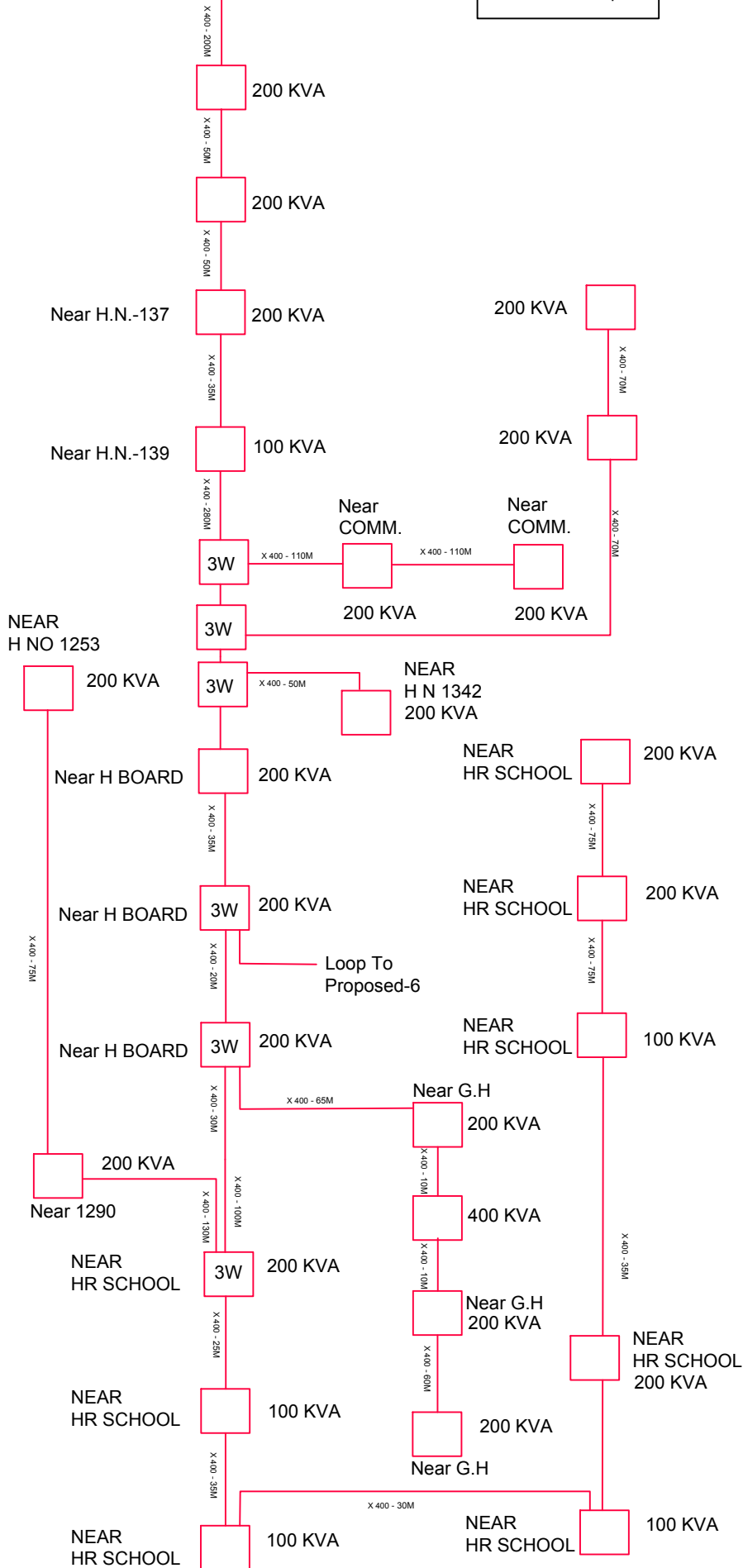
S/STN-66kv  
Sec - 38

Sub-Station - Sec.15-II  
11KV Feeder Prop.-4



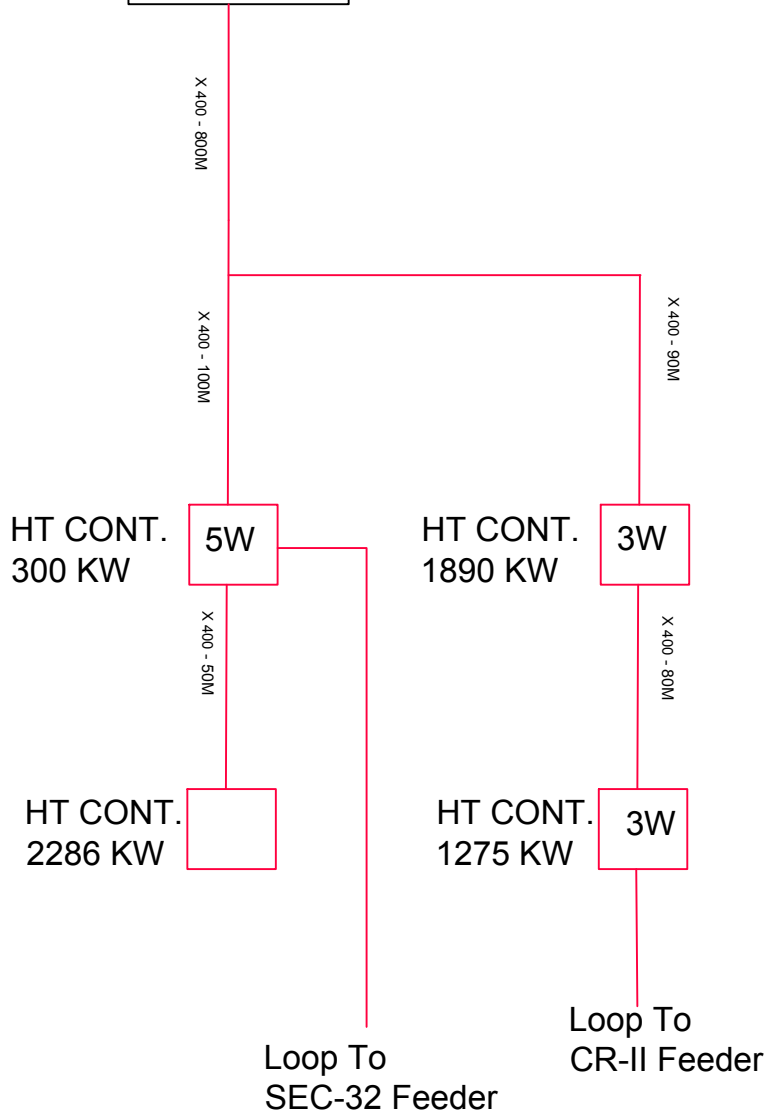
Sub-Station  
Sec-15-II

Sub-Station - Sec-15-II  
11KV Feeder Prop.- 5

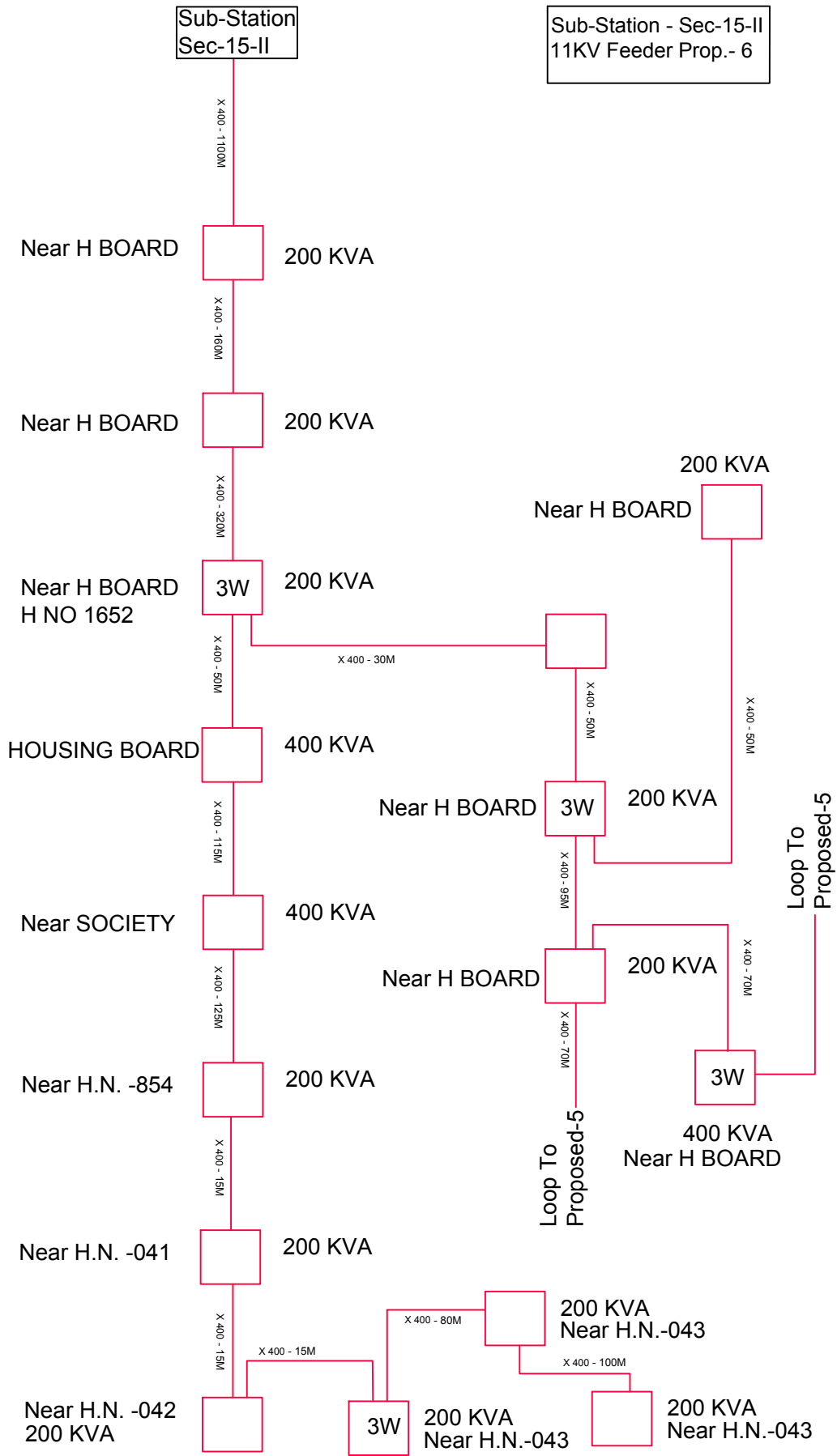


S/STN-66kv  
Sec-15-II

Sub-Station - Sec.15-II  
11KV Feeder Prop.- 5









Q-BLK  
S/STN

Sub-Station - Q.BLK  
Proposed Feeder  
11 KV S BLK-1

A (Near Corporate Park)

X 400 - 925 M

500 KVA

3W

X 400 - 145 M

3W

A 400KVA.

X 400 - 185 M

4W

500 KVA.

X 400 - 20M

N 630KVA.

200 KVA.

[ ]

X 400 - 101 M

1W+  
2BR

500 KVA.

X 400 - 310M

3W+

1W

X 400 - 180 M

500 KVA.

X 400 - 200M

4W

500 KVA.

X 400 - 225 M

4W

500 KVA.

X 400 - 15M

N 400 KVA.

X 400 - 15M

4W

X 400 - 15M

N 400 KVA.

A 400 KVA.

[ ]

X 400 - 65 M

200 KVA.

X 400 - 95 M

3W

A 400 KVA.

X 400 - 15 M

3W

400 KVA.

3W

X 400 - 15 M

4W

N 630 KVA.

[ ]

X 400 - 15 M

4W

400 KVA.

X 400 - 15M

63 KVA.

[ ]

Loop With  
630 KVA  
(V BLOCK)

X 400 - 485M

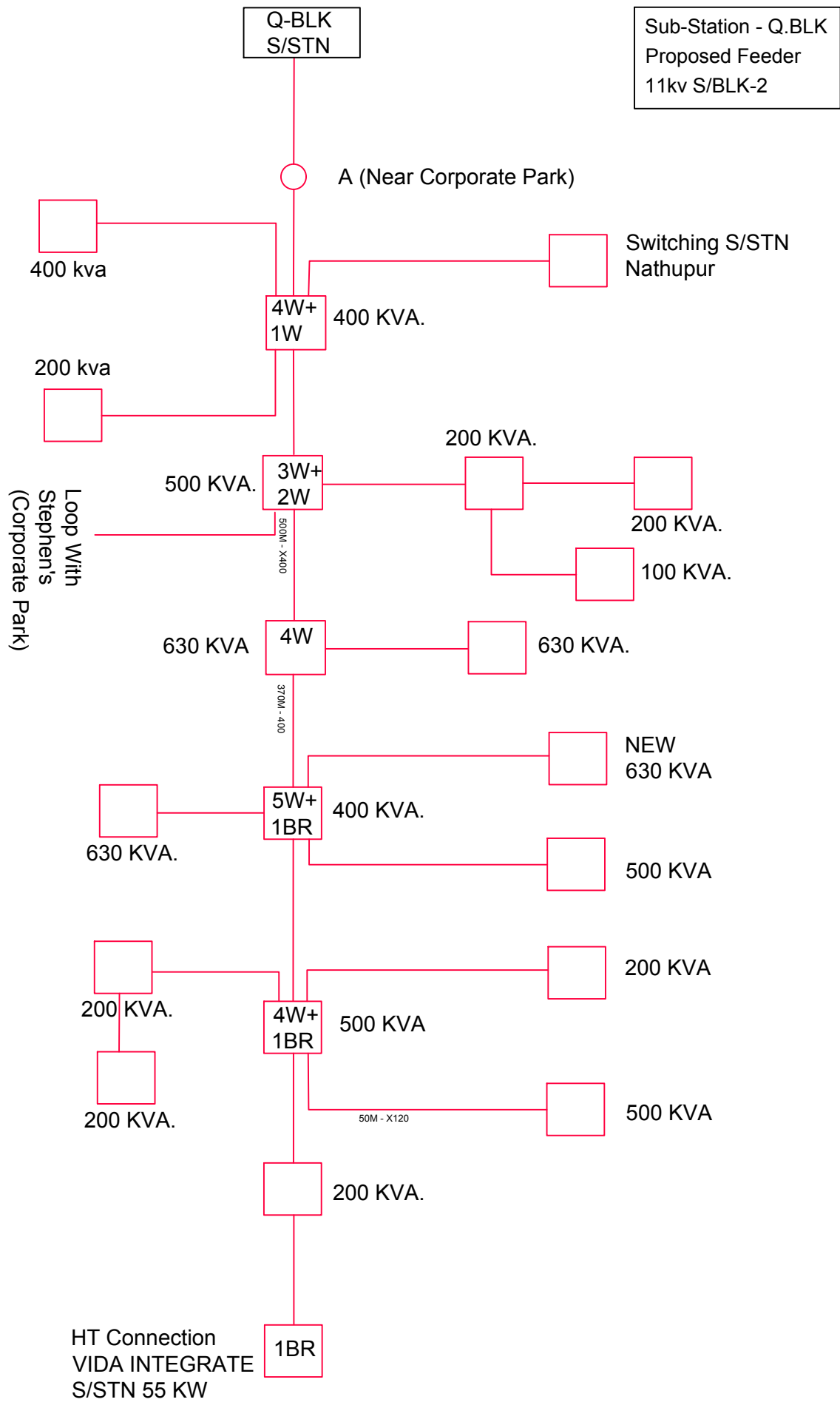
Switching S/STN  
Nathupur

[ ]

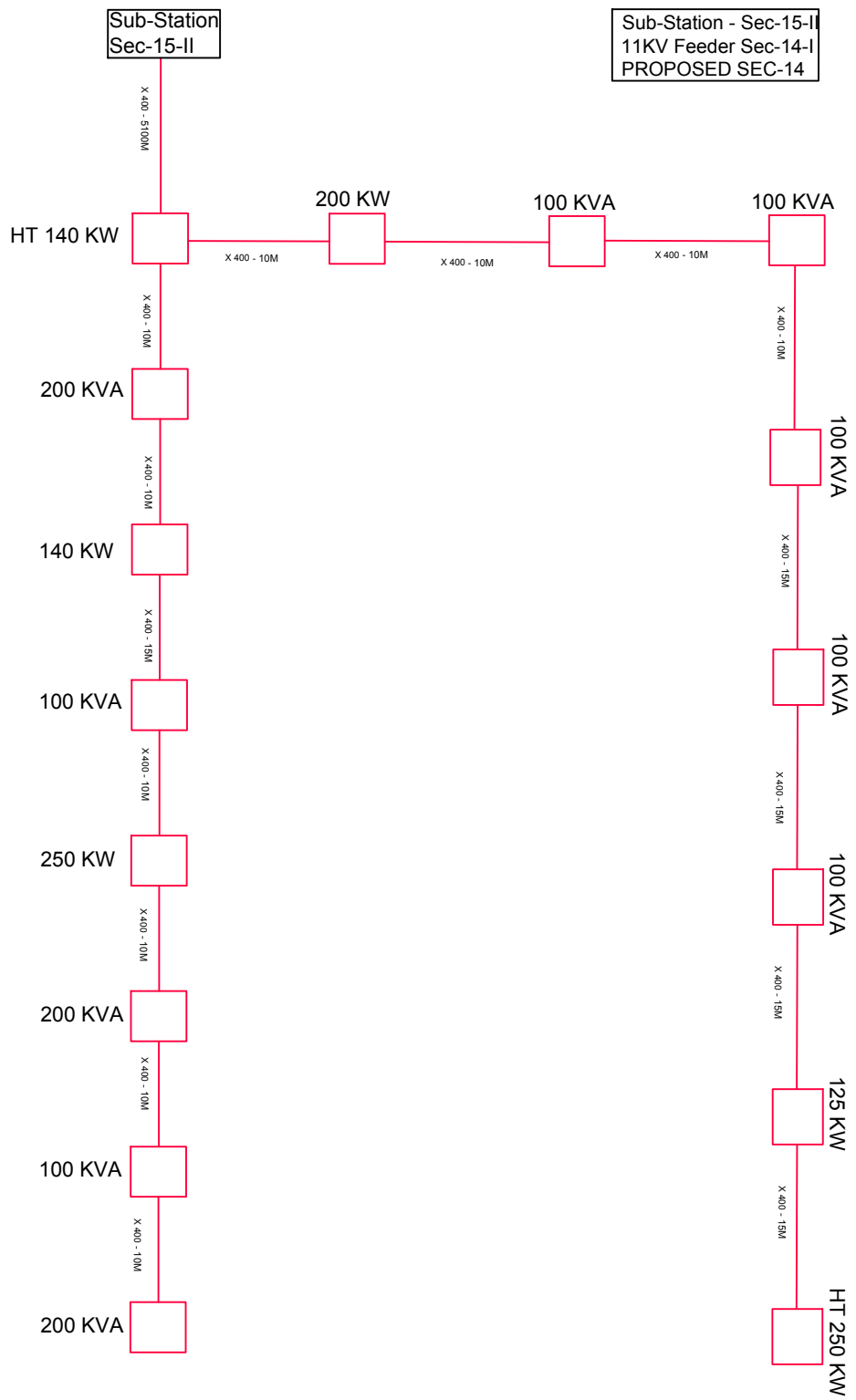
X 400 - 295 M

4W

400 KVA.

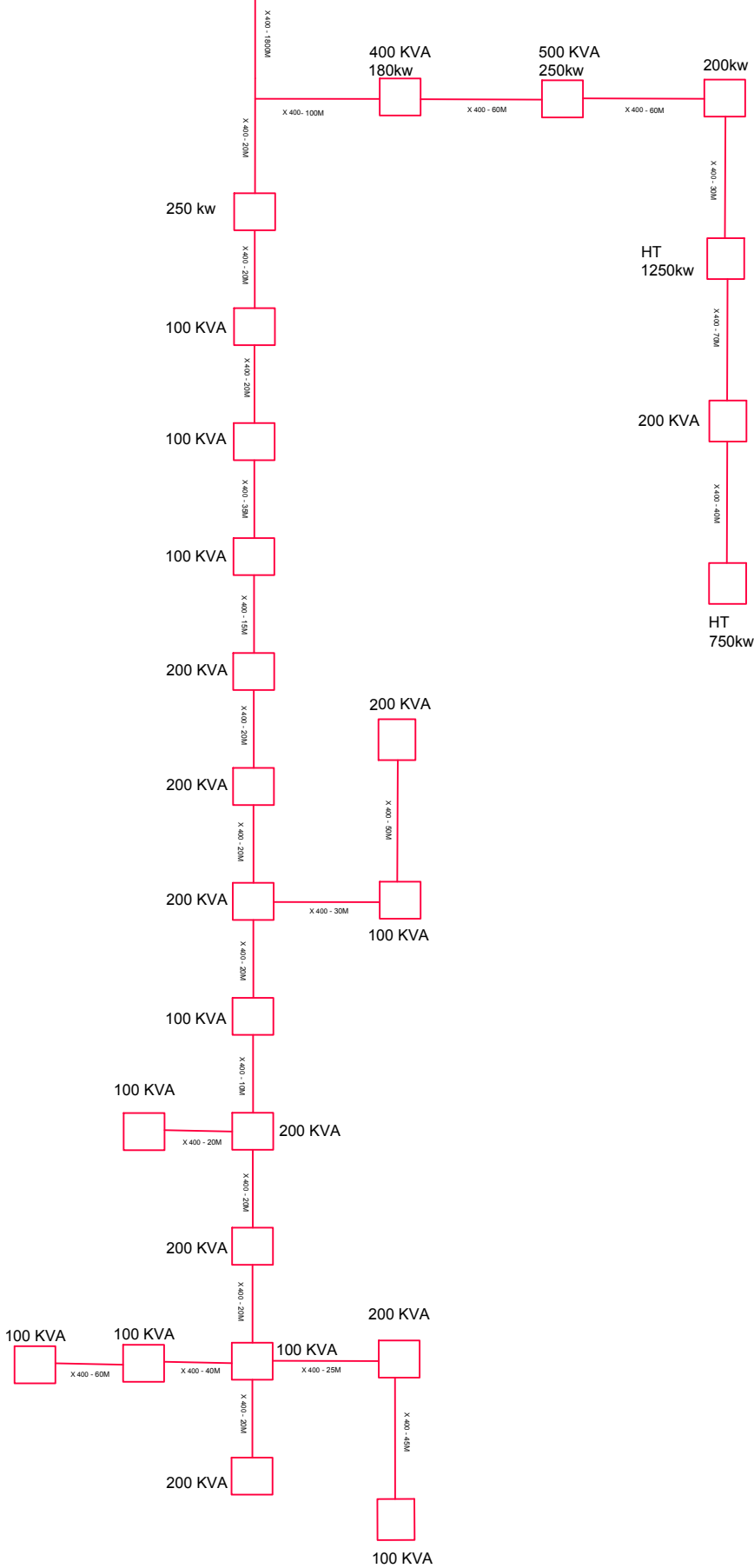






Sub-Station  
M/Road

Sub-Station - M/Road  
11KV Feeder Sec-14  
PROPOSED SEC-14

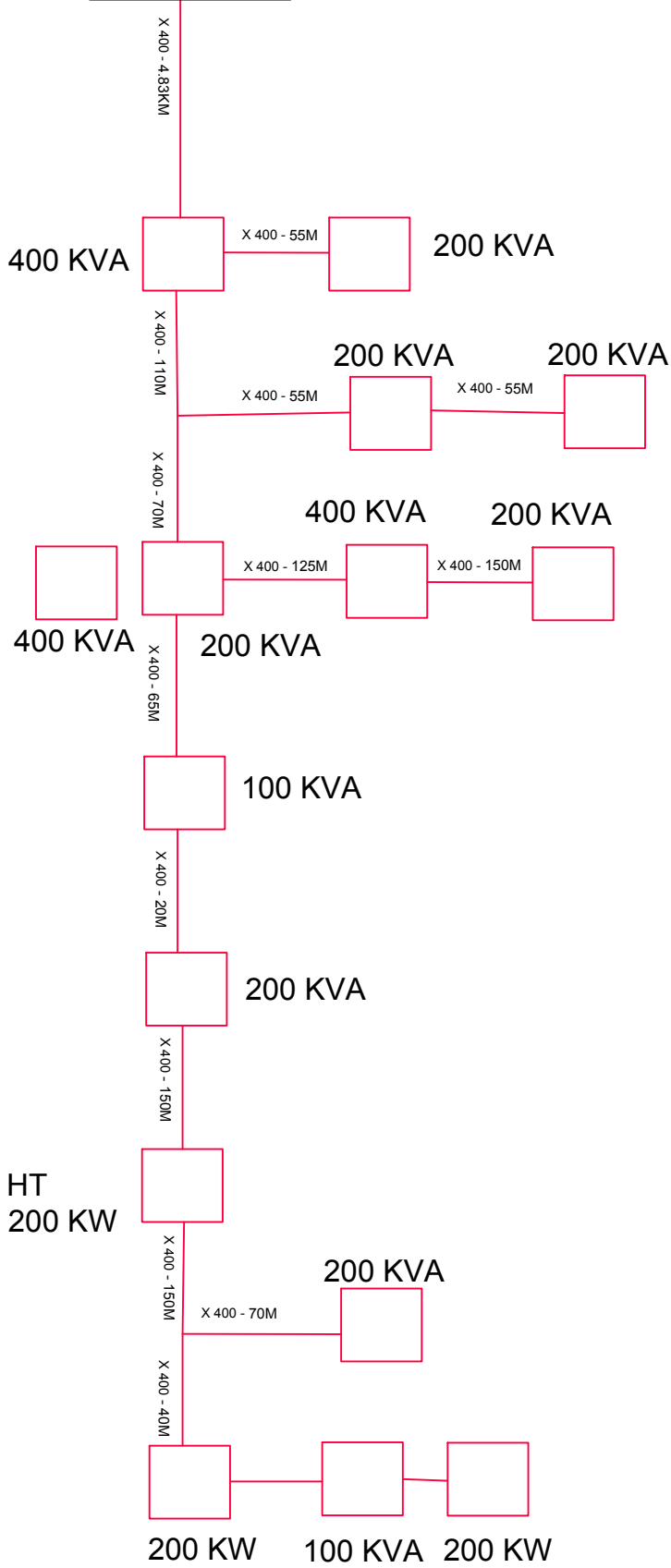


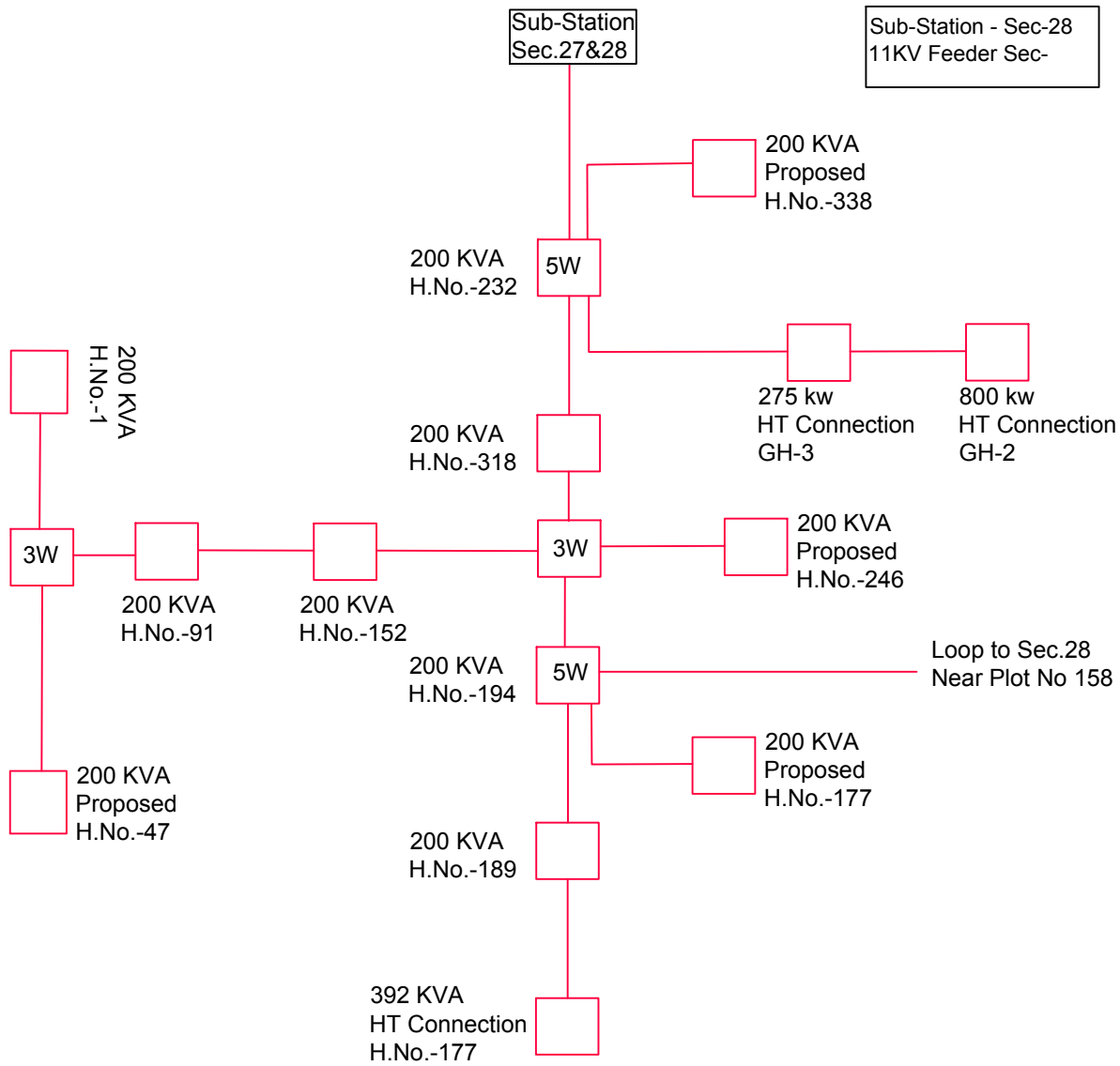


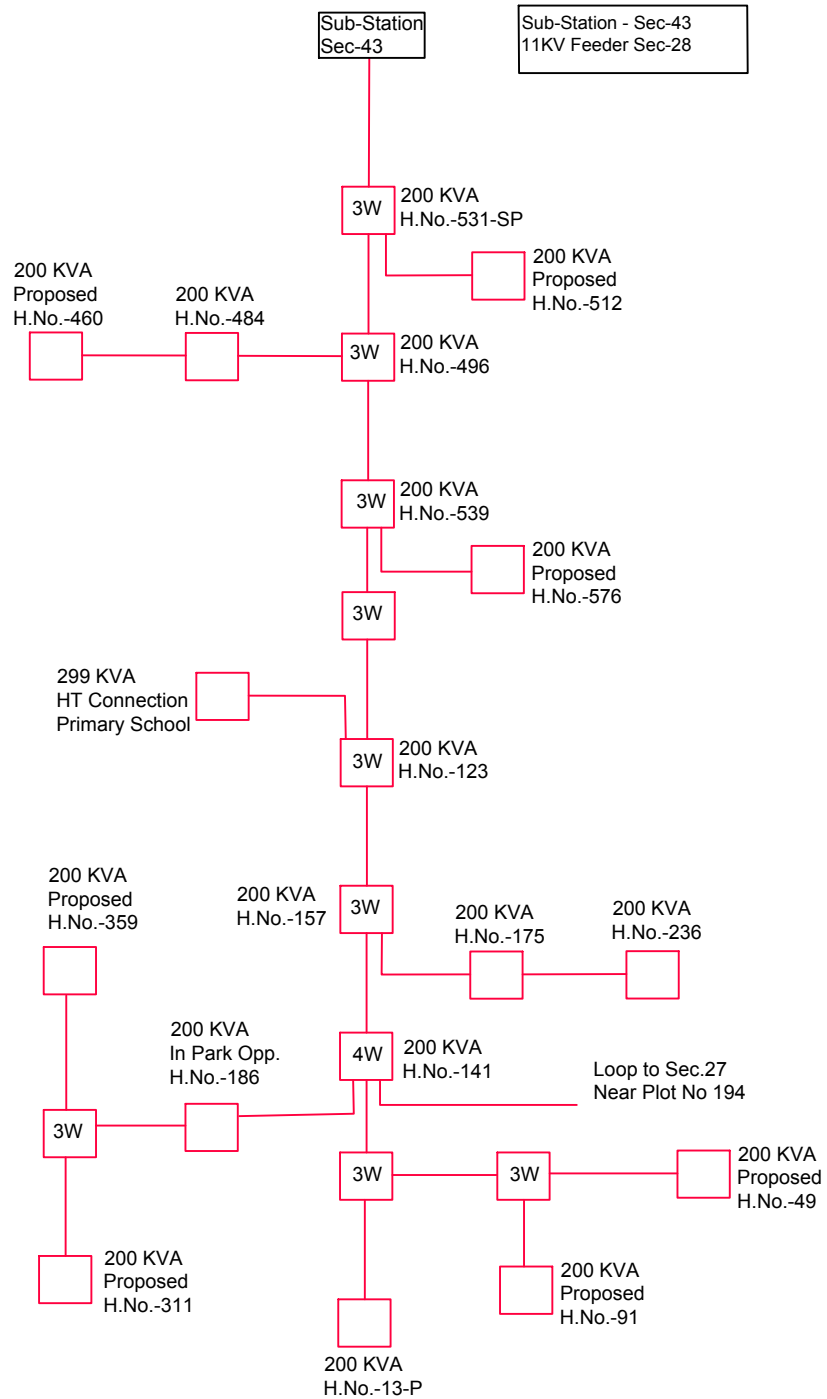


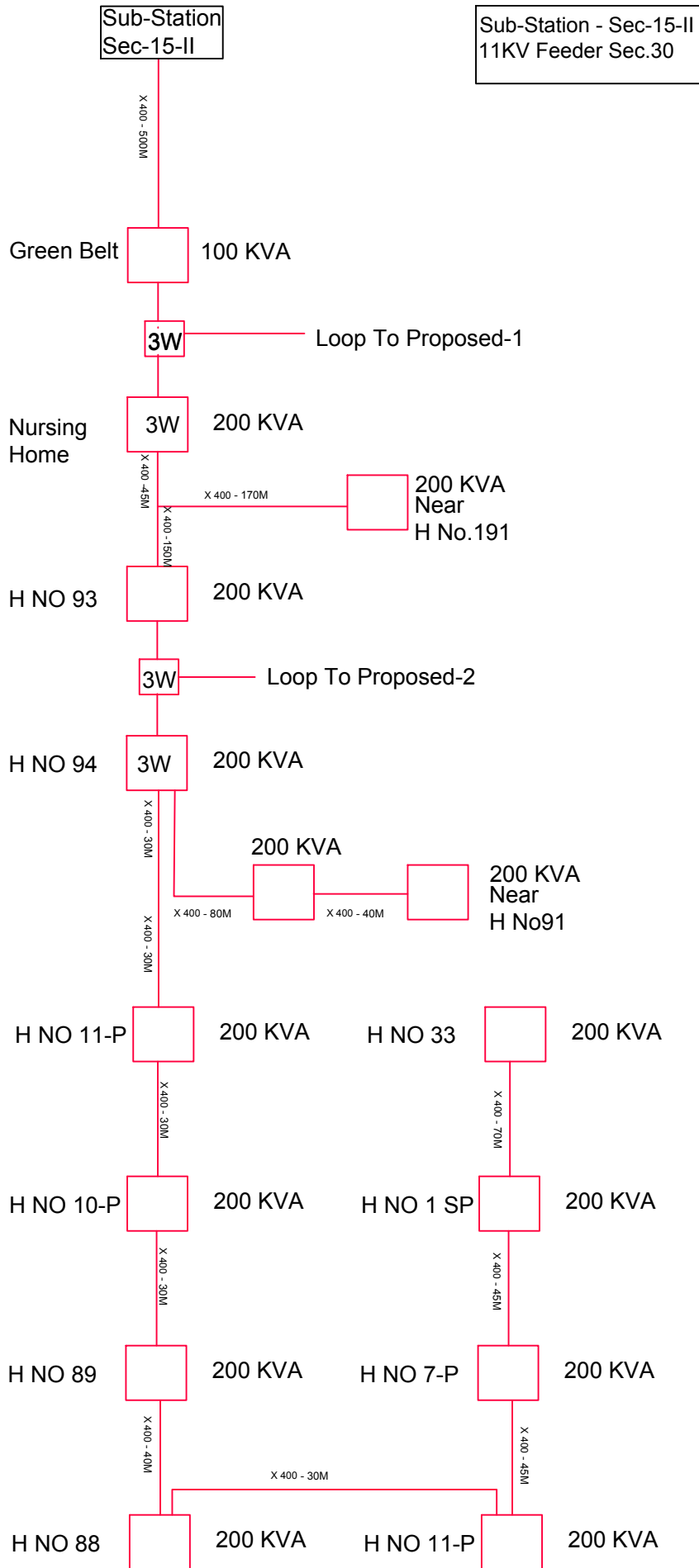
S/STN-66kv  
Sec-15-II

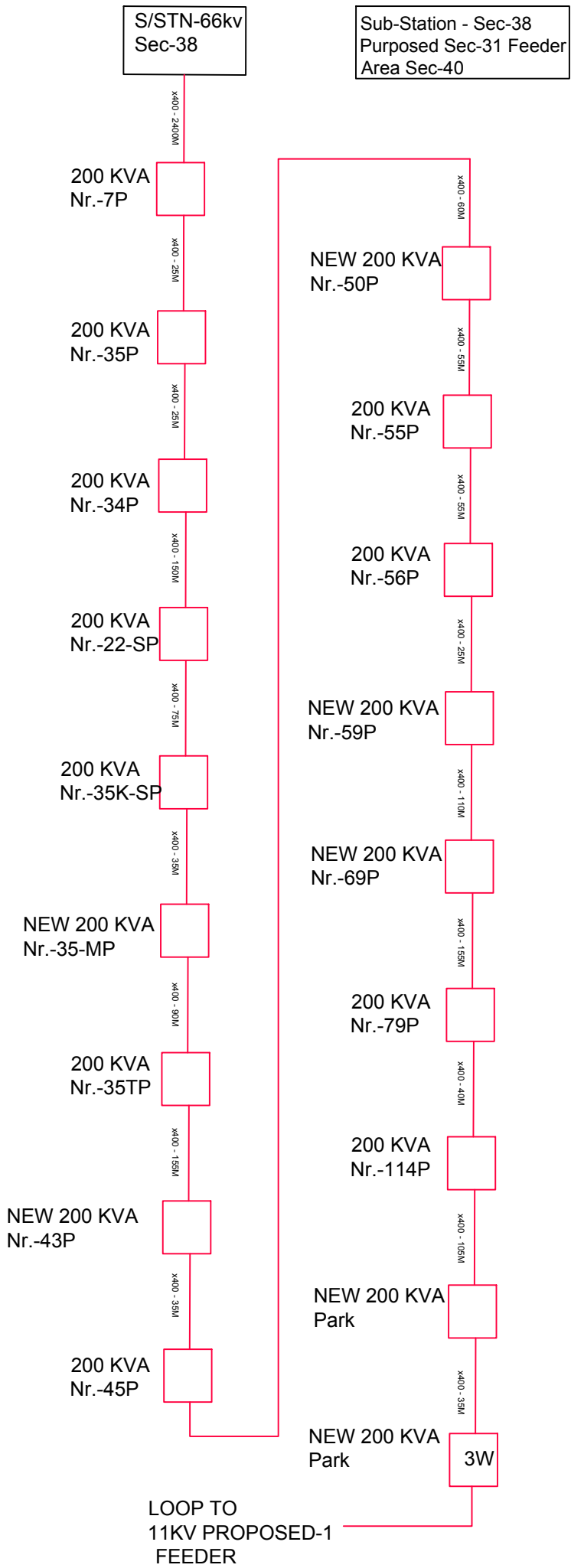
Sub-Station - Sec.15-II  
11KV Feeder Sec-17-I





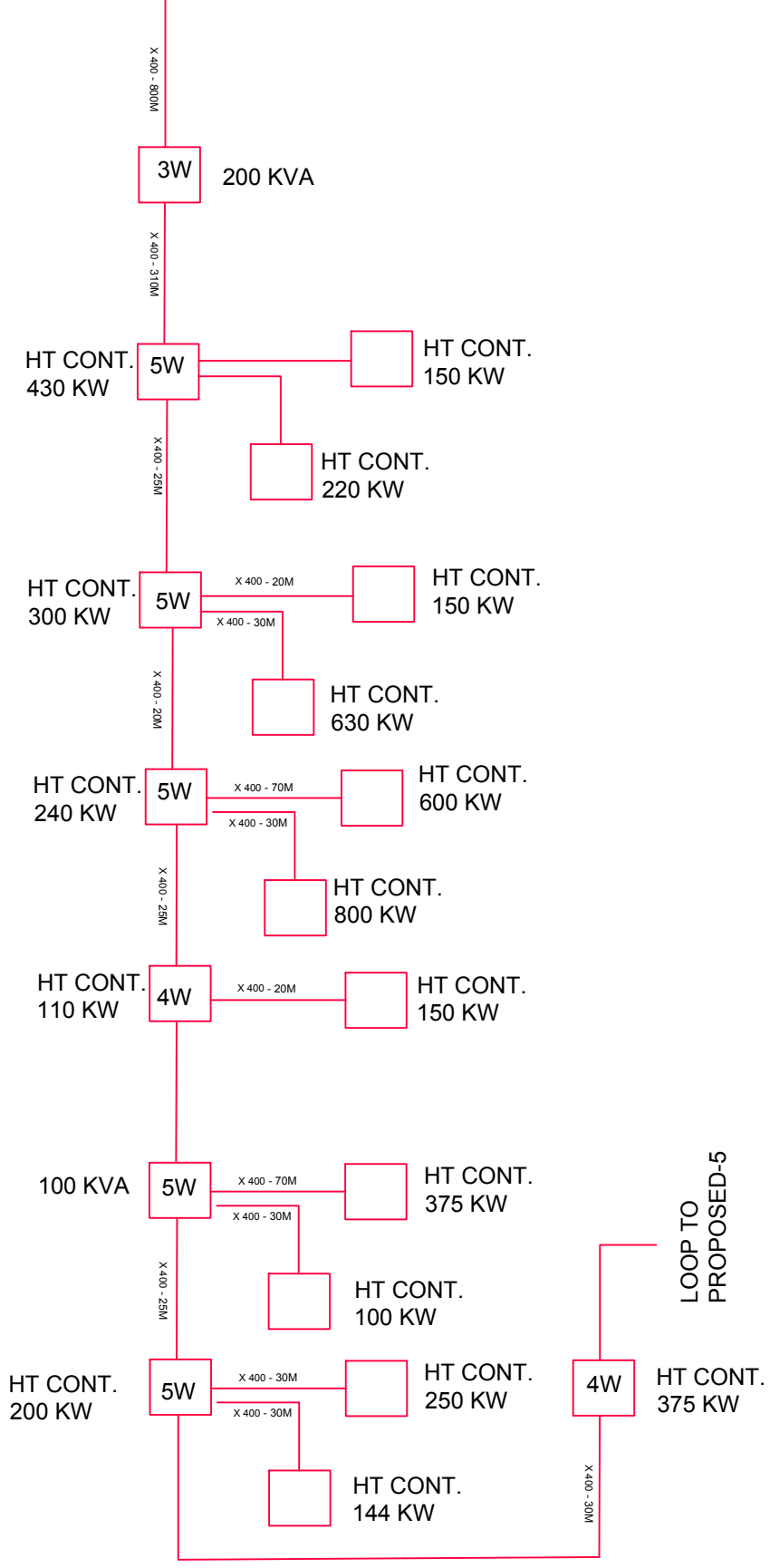




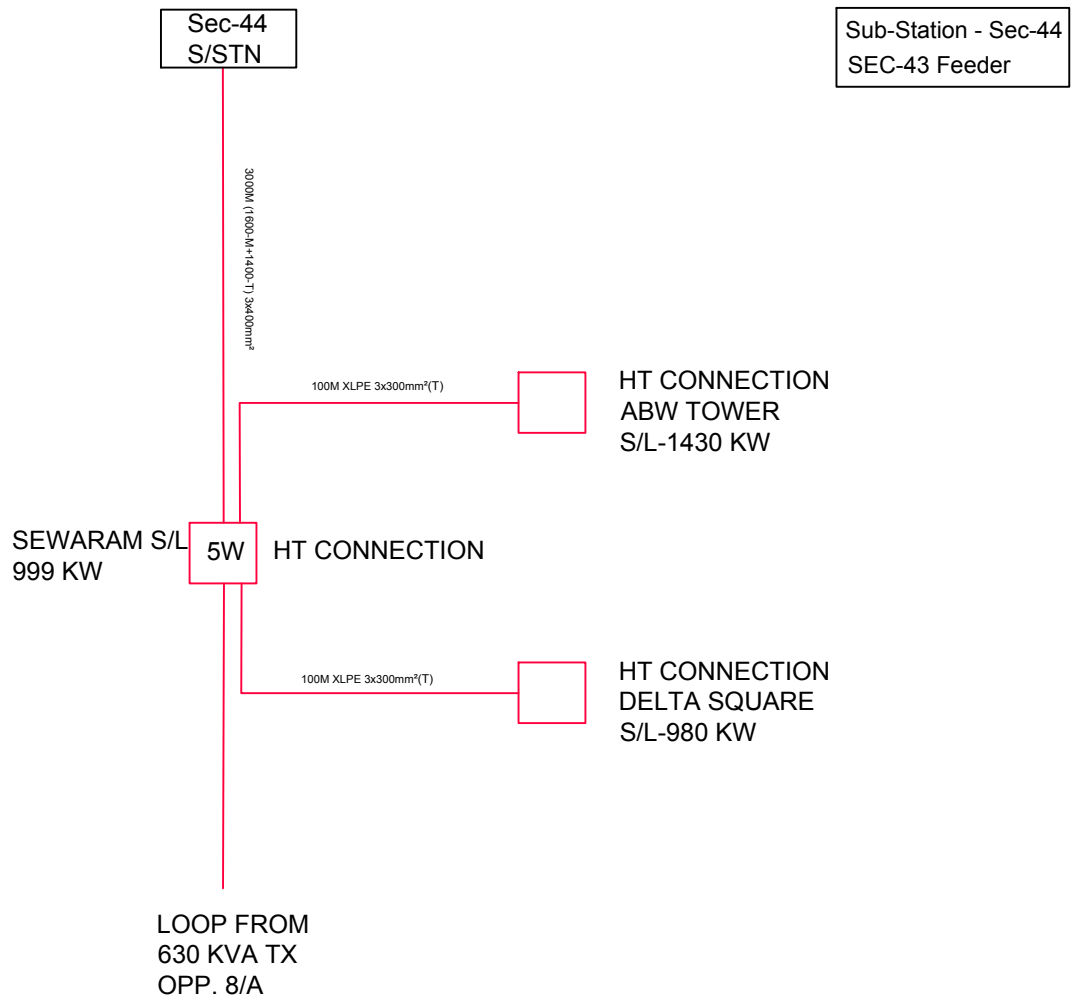


S/STN-66kv  
Sec-15-II

Sub-Station - Sec.15-II  
11KV Feeder Sec-32



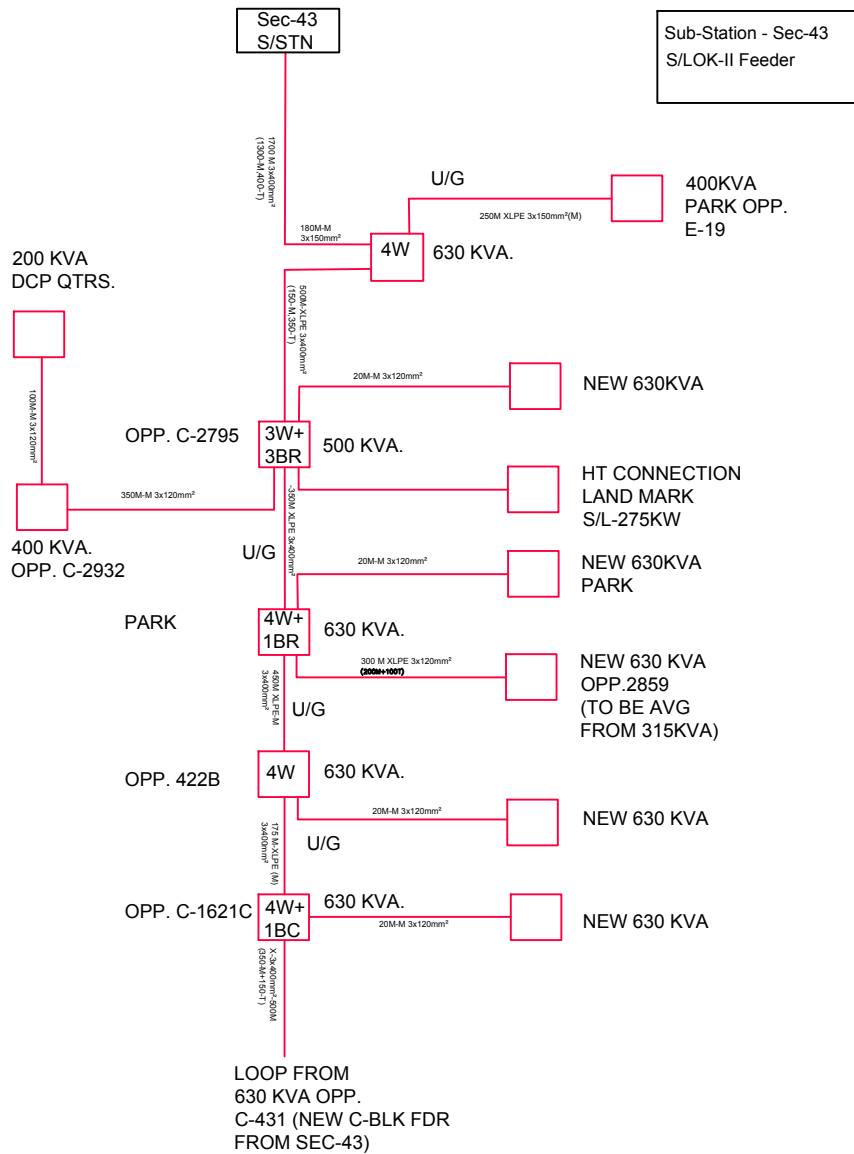




Proposed Network	
Description of Item	Quantity
E 630KVA	
E 400KVA/500KVA	
E 200KVA/315KVA	
RMU 2 W	
RMU 3 W (2I)	
RMU 4 W (2I+2B)	
RMU 5 W (2I+3B)	
11 KV 3x400mm²Cable	3000(1600M+1400T)
11 KV 3x300mm²Cable	200 T
11 KV 3x120mm²Cable	

Transformers to be Dismantalled	No.
T/F 200KVA/315KVA	NIL
T/F 400KVA/500KVA	NIL
T/F 630KVA	NIL

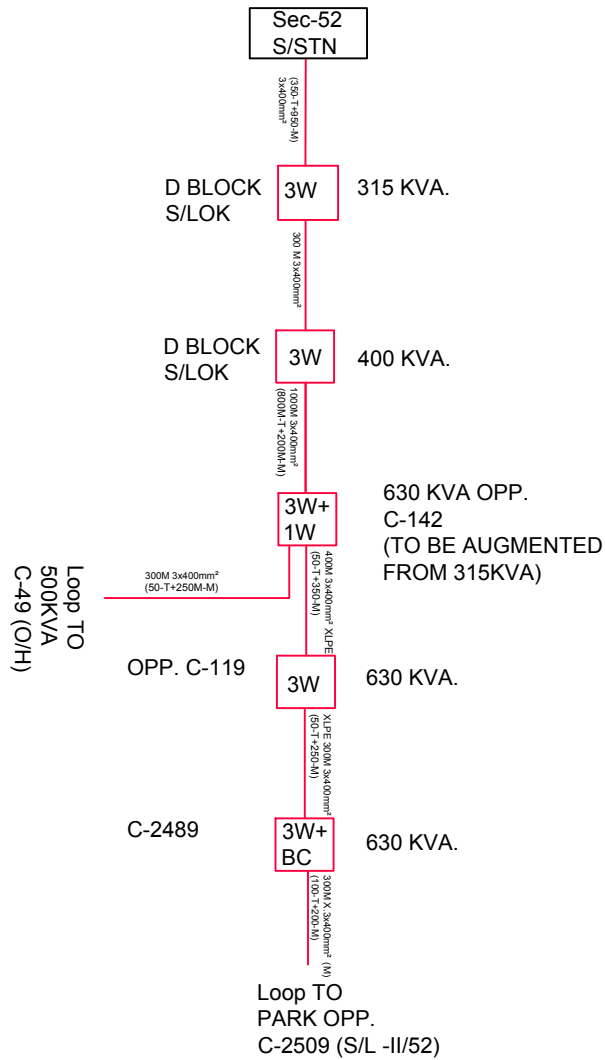




Proposed Network	
Description of Item	Quantity
E/N 630KVA	04/05
E 400KVA/500KVA	02/01
E 200KVA/315KVA	01/00
RMU 2 W	
RMU 3 W (2I)	01
RMU 4 W (2I+2B)	04
RMU 5 W (2I+3B)	
11 KV 3x400mm²Cable	4025 (3125M+900T)
11 KV 3x150mm²Cable	430 (M)
11 KV 3x120mm²Cable	830 (M)

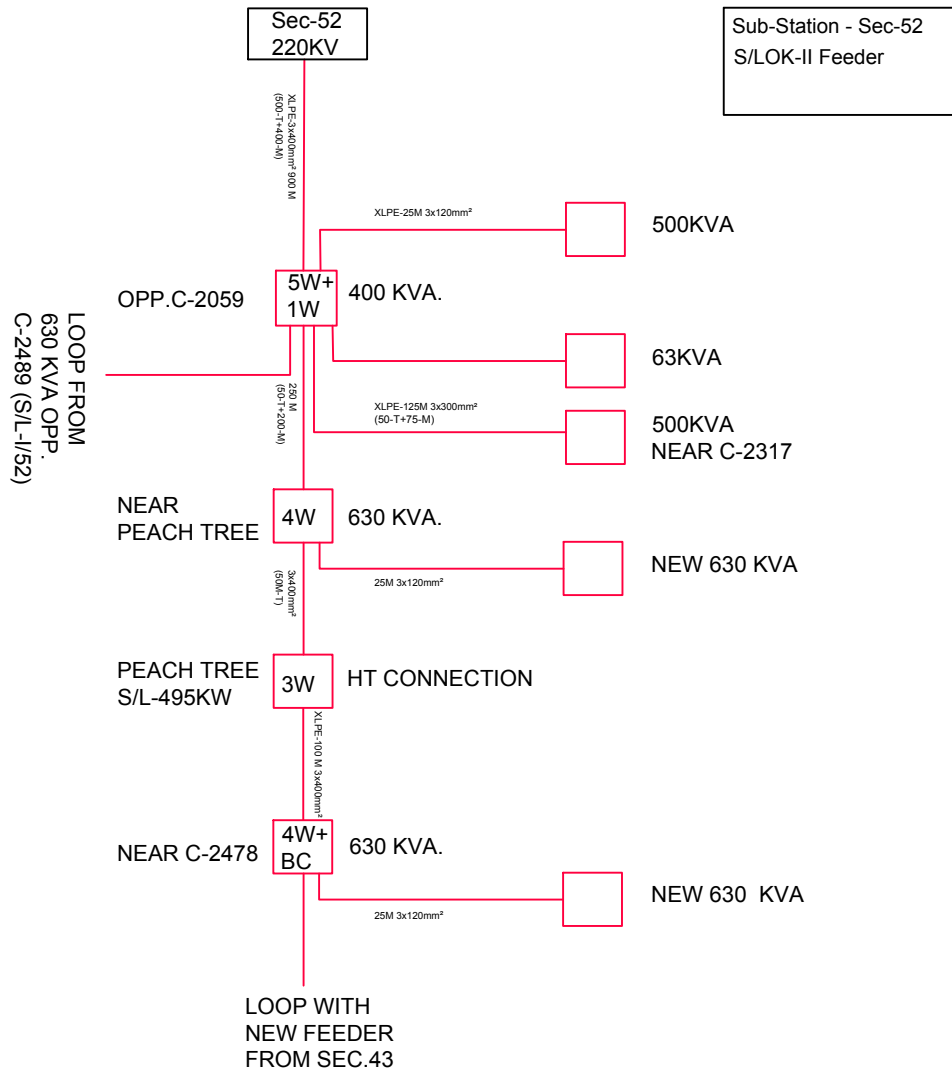
Transformers to be Dismantalled	No.
T/F 200KVA/315KVA	01
T/F 400KVA/500KVA	NIL
T/F 630KVA	NIL

S/LOK-I FEEDER  
Sub-Station - Sec-52



Proposed Network	
Description of Item	Quantity
E/N 630KVA	02/01
E 400KVA/500KVA	01/00
E 200KVA/315KVA	00/01
RMU 1 W/BC-1	01/01
RMU 3 W (2I)	05
RMU 4 W (2I+2B)	
RMU 5 W (2I+3B)	
11 KV 3x400mm²Cable	3600(1700T+1900M)
11 KV 3x300mm²Cable	
11 KV 3x120mm²Cable	

Transformers to be Dismantalled	No.
T/F 200KVA/315KVA	01
T/F 400KVA/500KVA	NIL
T/F 630KVA	NIL

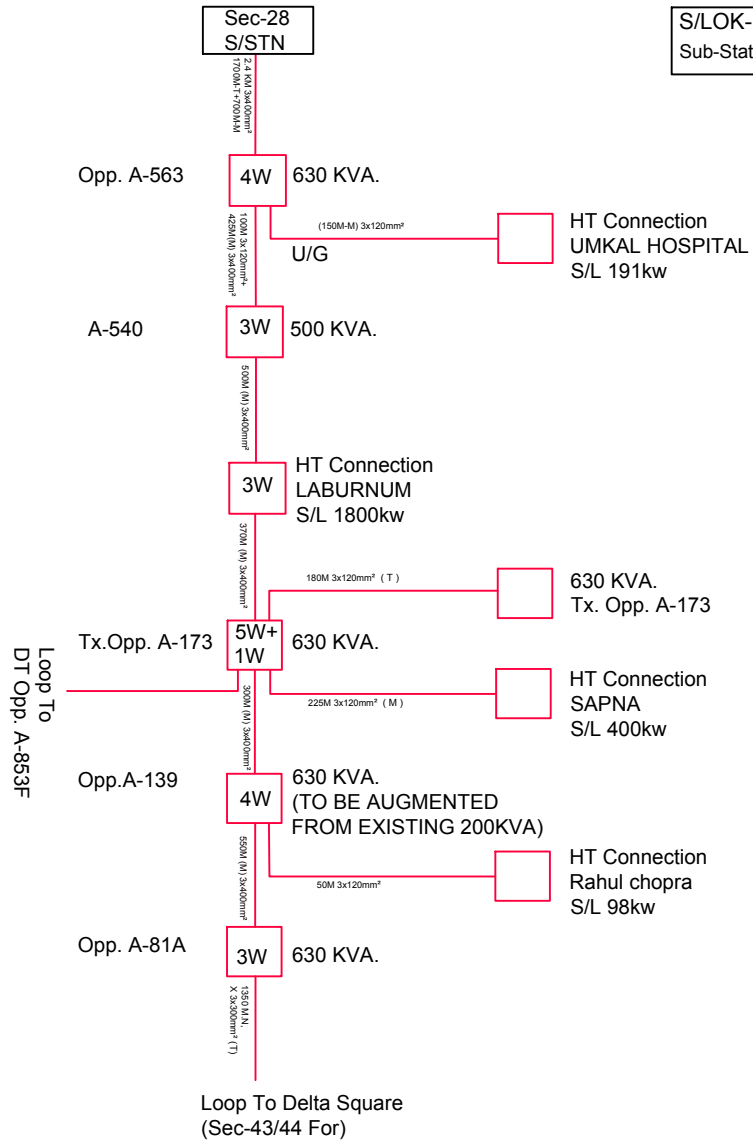


Proposed Network	
Description of Item	Quantity
E/N 630KVA	02/02
E 400KVA/500KVA	01/02
E 63KVA	
RMU 1 W / BC-1	01/01
RMU 3 W (2I)	01
RMU 4 W (2I+2B)	02
RMU 5 W (2I+3B)	01
11 KV 3x400mm²Cable	1300 (600T+700M)
11 KV 3x300mm²Cable	125 (50T+75M)
11 KV 3x120mm²Cable	75

Transformers to be Dismantalled	No.
T/F 200KVA/315KVA	NIL
T/F 400KVA/500KVA	NIL
T/F 630KVA	NIL

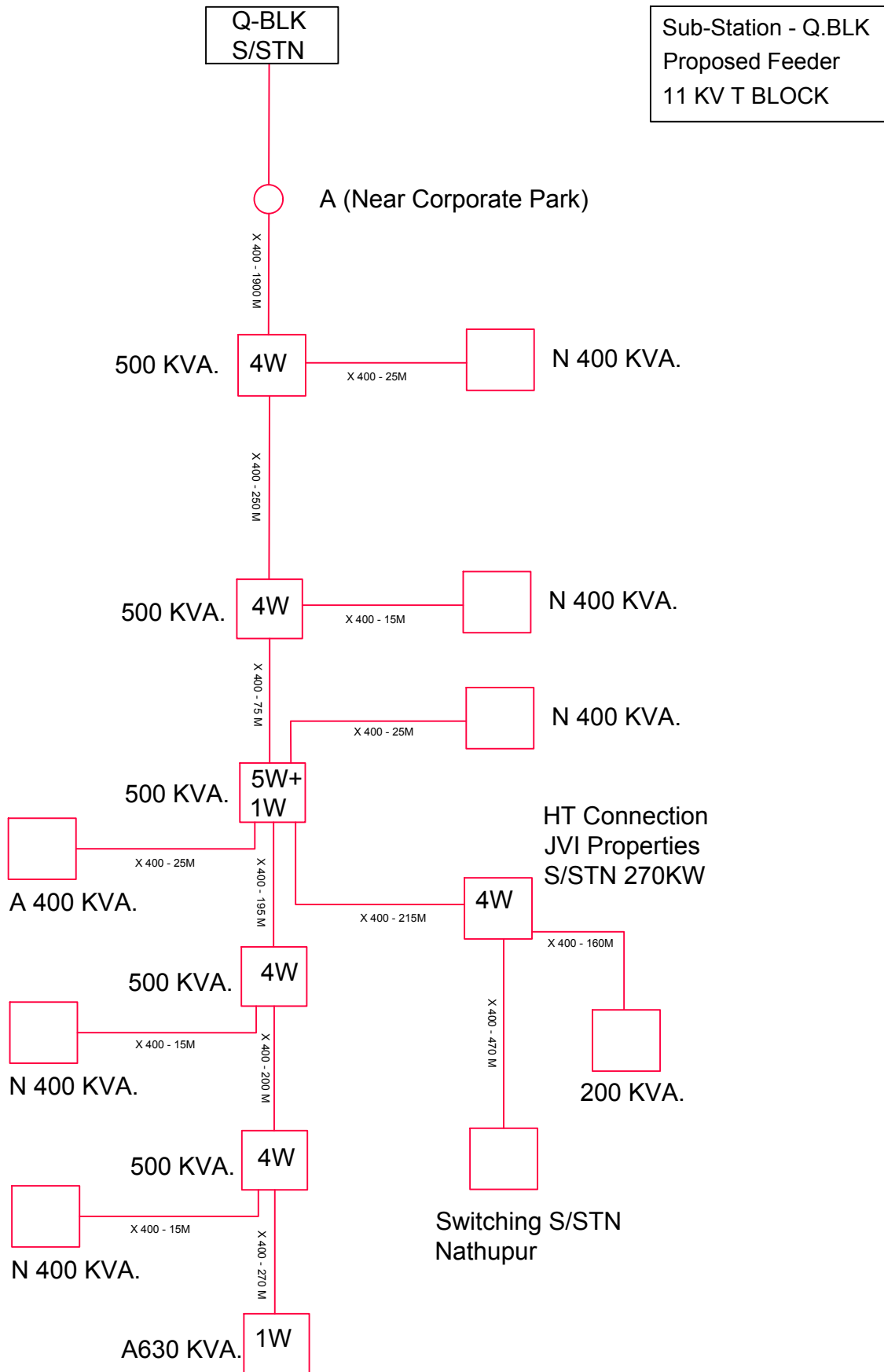
Sec-28  
S/STN

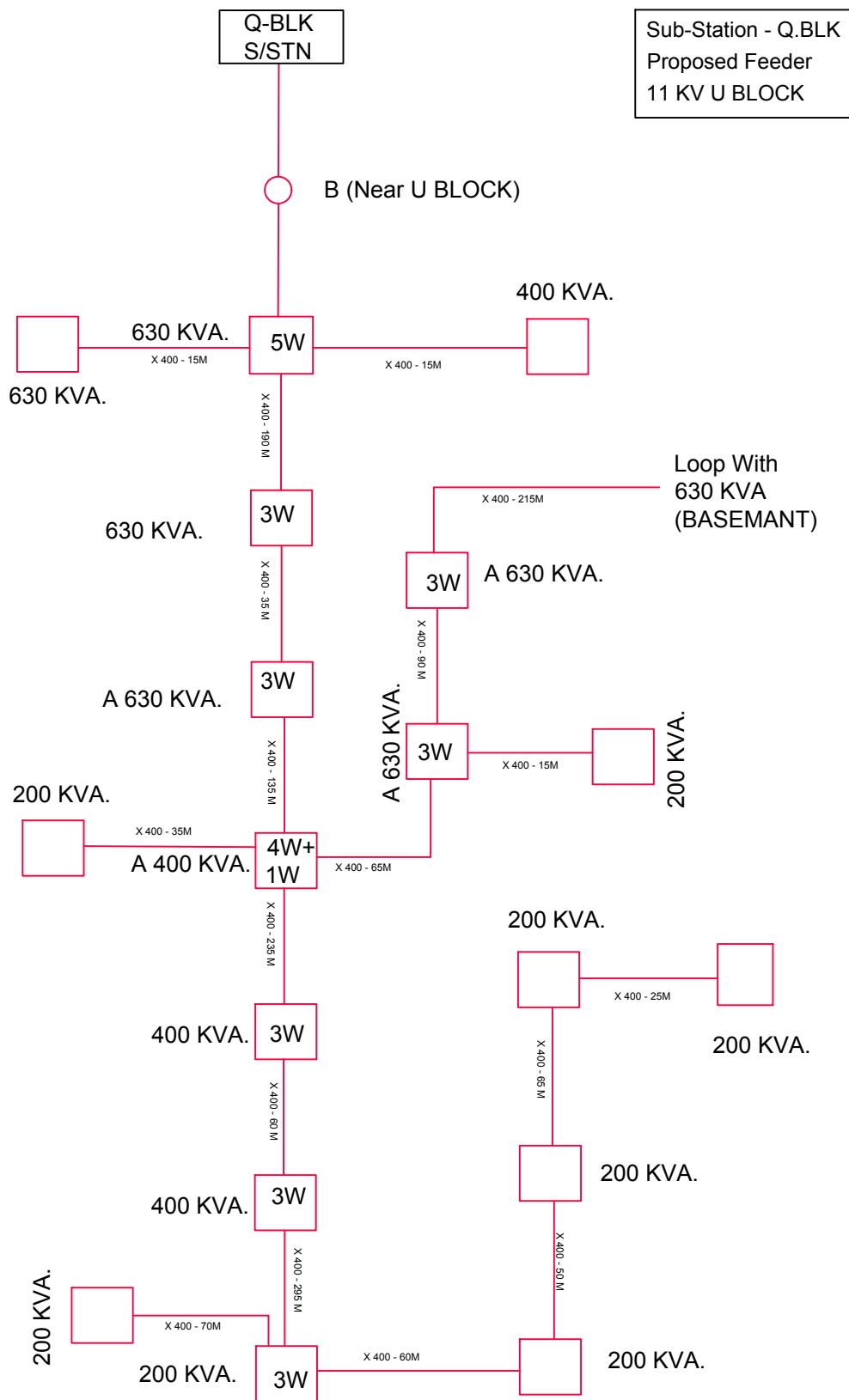
S/LOK-III  
Sub-Station - Sec-28

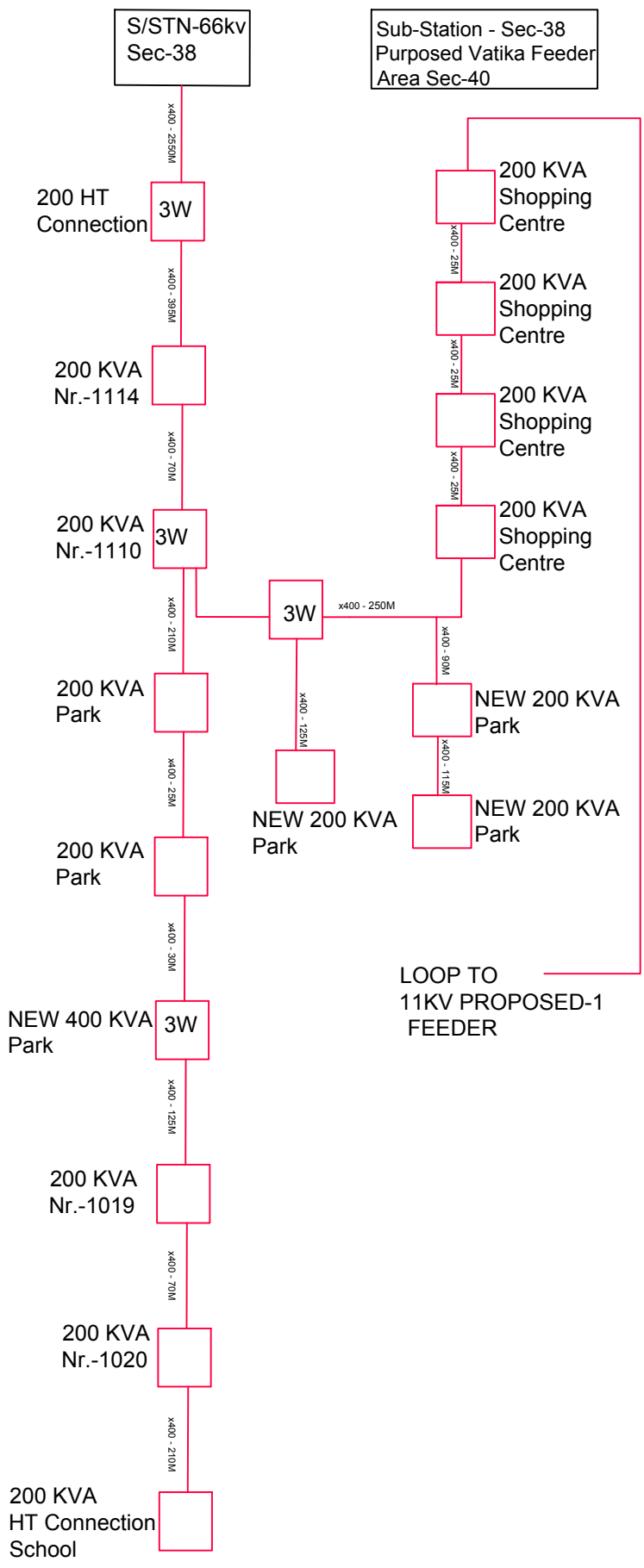


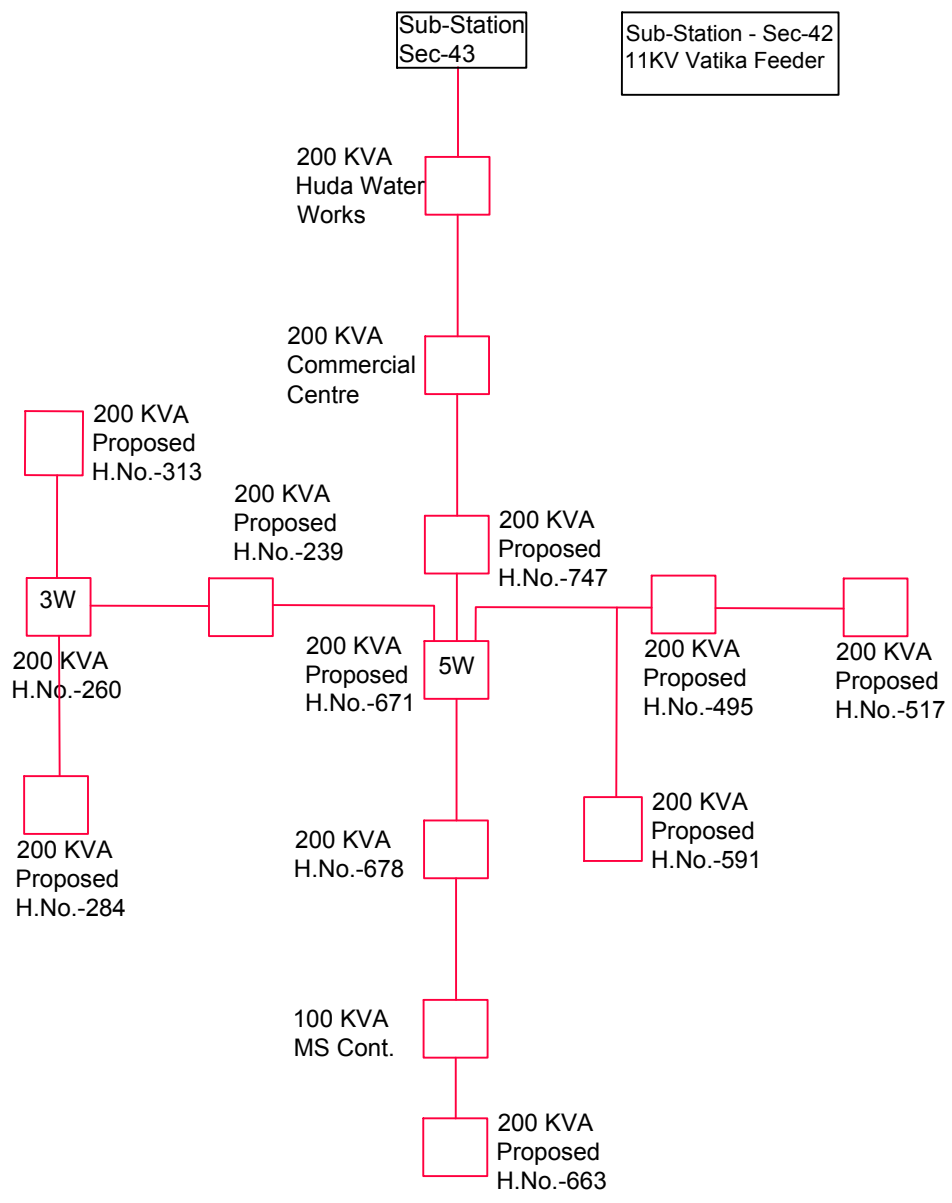
Proposed Network	
Description of Item	Quantity
E/N 630KVA	03/01
E 400KVA/500KVA	00/01
E 200KVA/315KVA	
RMU 2 W	
RMU 3 W (2I)	03
RMU 4 W (2I+2B)	02
RMU 5 W (2I+3B)	01
11 KV 3x400mm²Cable	5570(2845M+2725T)
11 KV 3x300mm²Cable	
11 KV 3x120mm²Cable	605 (425M+125T)

Transformers to be Dismantalled	No.
T/F 200KVA/315KVA	01
T/F 400KVA/500KVA	NIL
T/F 630KVA	NIL

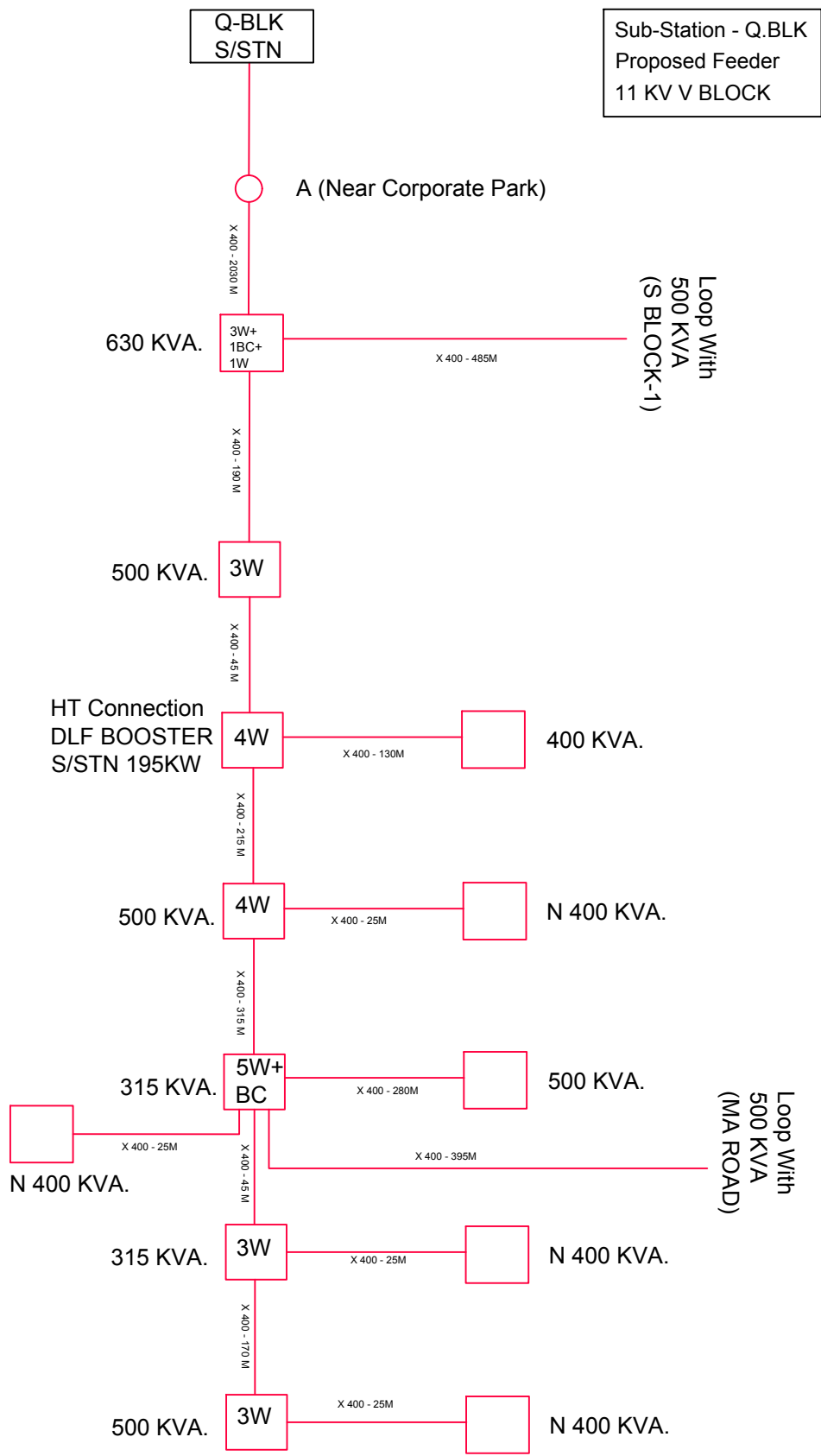


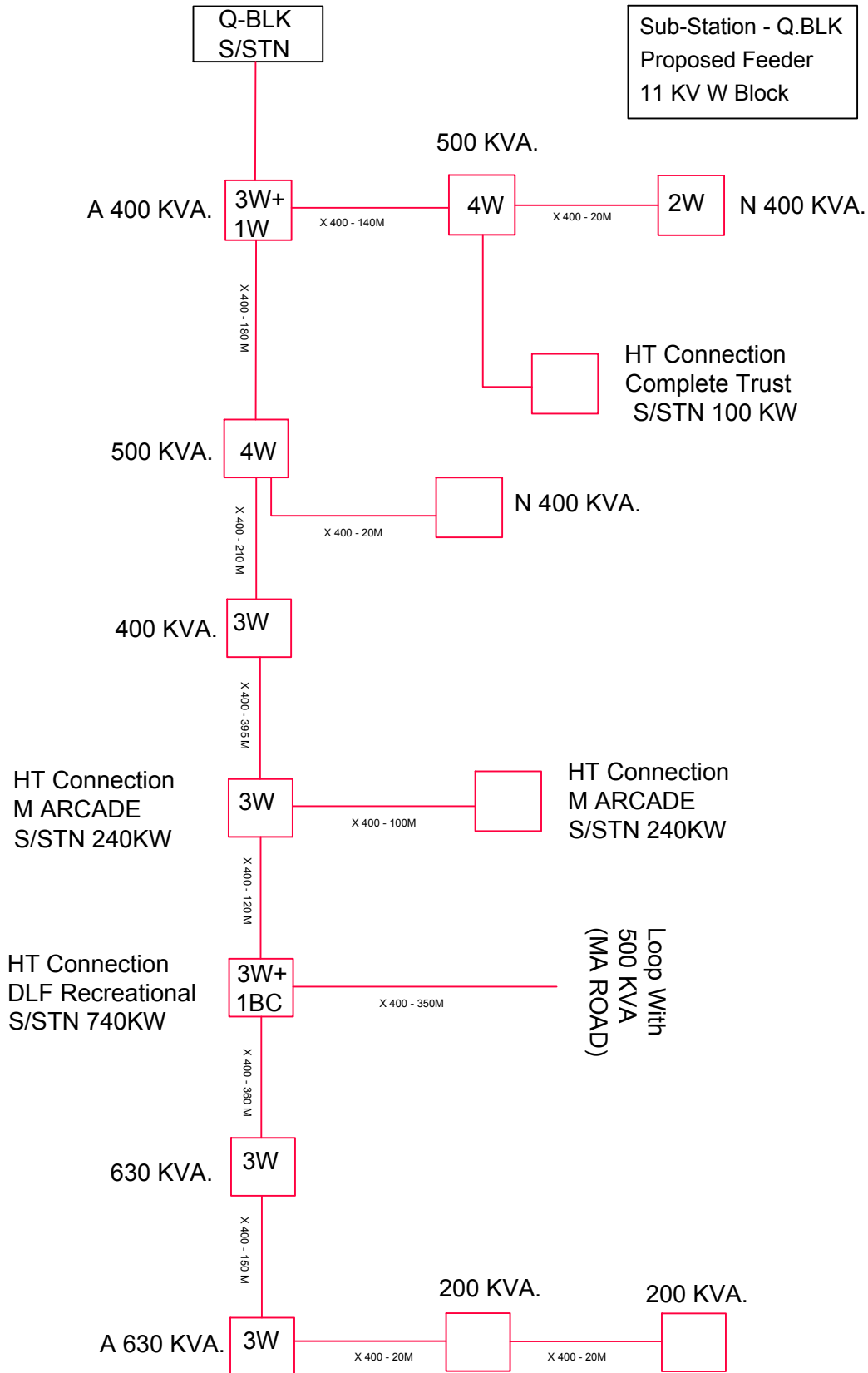


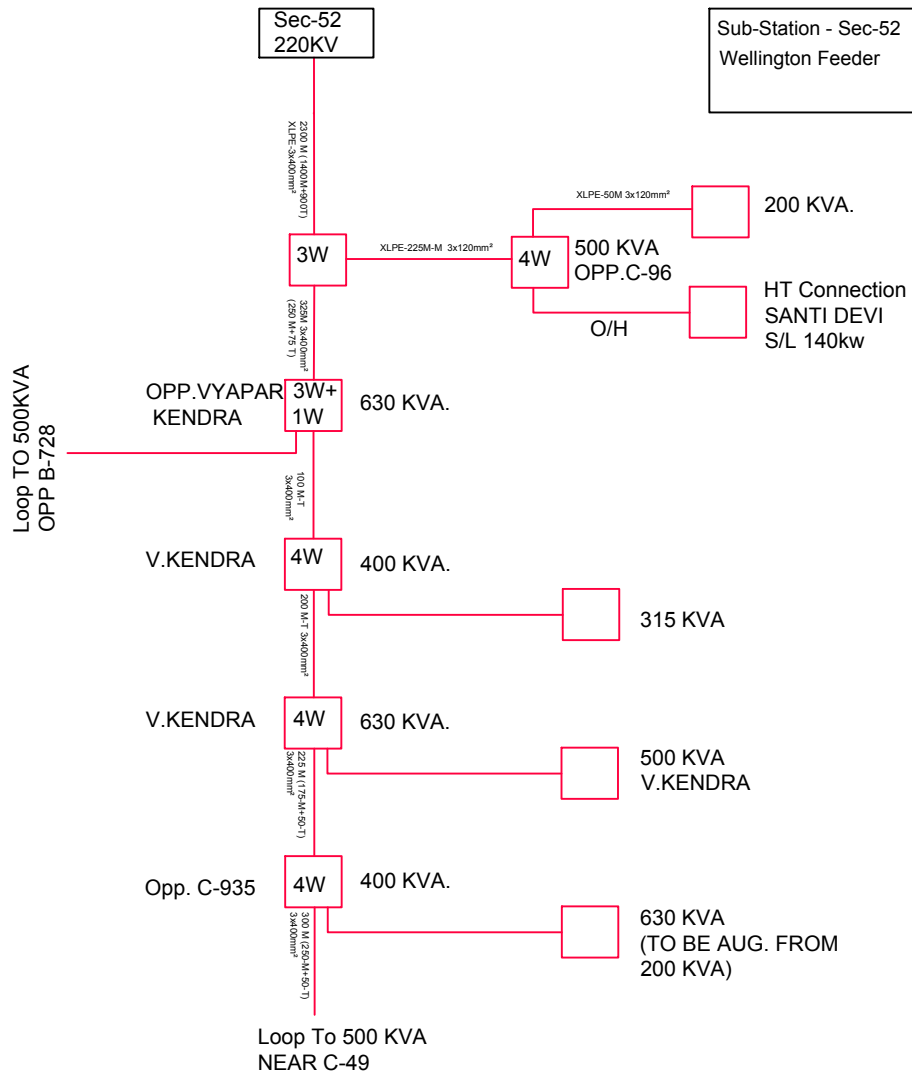












Proposed Network	
Description of Item	Quantity
E 630KVA	02
E 400KVA/500KVA	02/02
E 200KVA/315KVA	01/01
RMU 1 W	01
RMU 3 W (2I)	02
RMU 4 W (2I+2B)	04
RMU 5 W (2I+3B)	
11 KV 3x400mm²Cable	3450(2075M+1375T)
11 KV 3x300mm²Cable	
11 KV 3x120mm²Cable	275 (M)

Transformers to be Dismantalled	No.
T/F 200KVA/315KVA	01
T/F 400KVA/500KVA	NIL
T/F 630KVA	NIL

Sec-28  
S/STN

66KV Sub-Station  
Sec-28  
Active Security

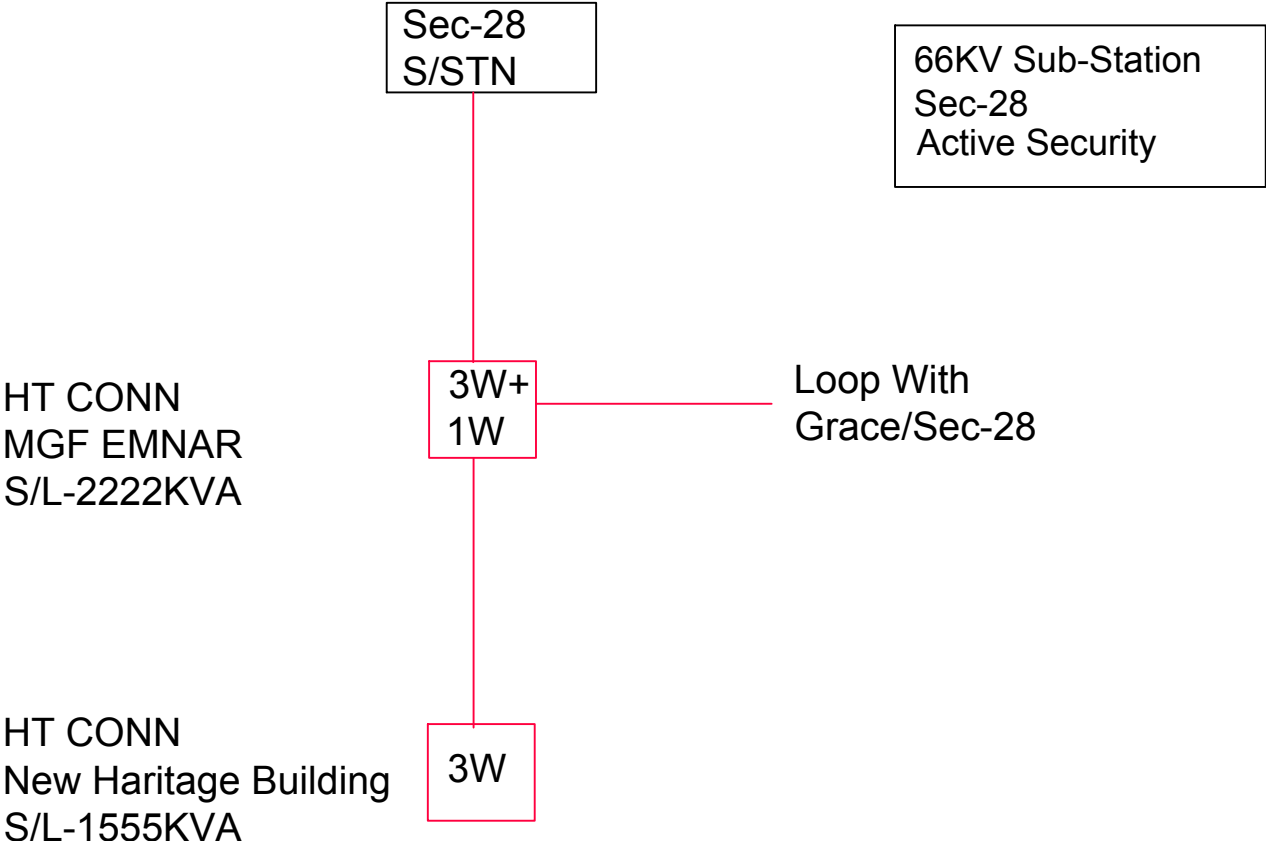
HT CONN  
MGF EMNAR  
S/L-2222KVA

3W+  
1W

Loop With  
Grace/Sec-28

HT CONN  
New Haritage Building  
S/L-1555KVA

3W



Sec-44  
S/STN

Existing XLPE  
Cable 1A-2

Existing XLPE  
Cable 1A-2

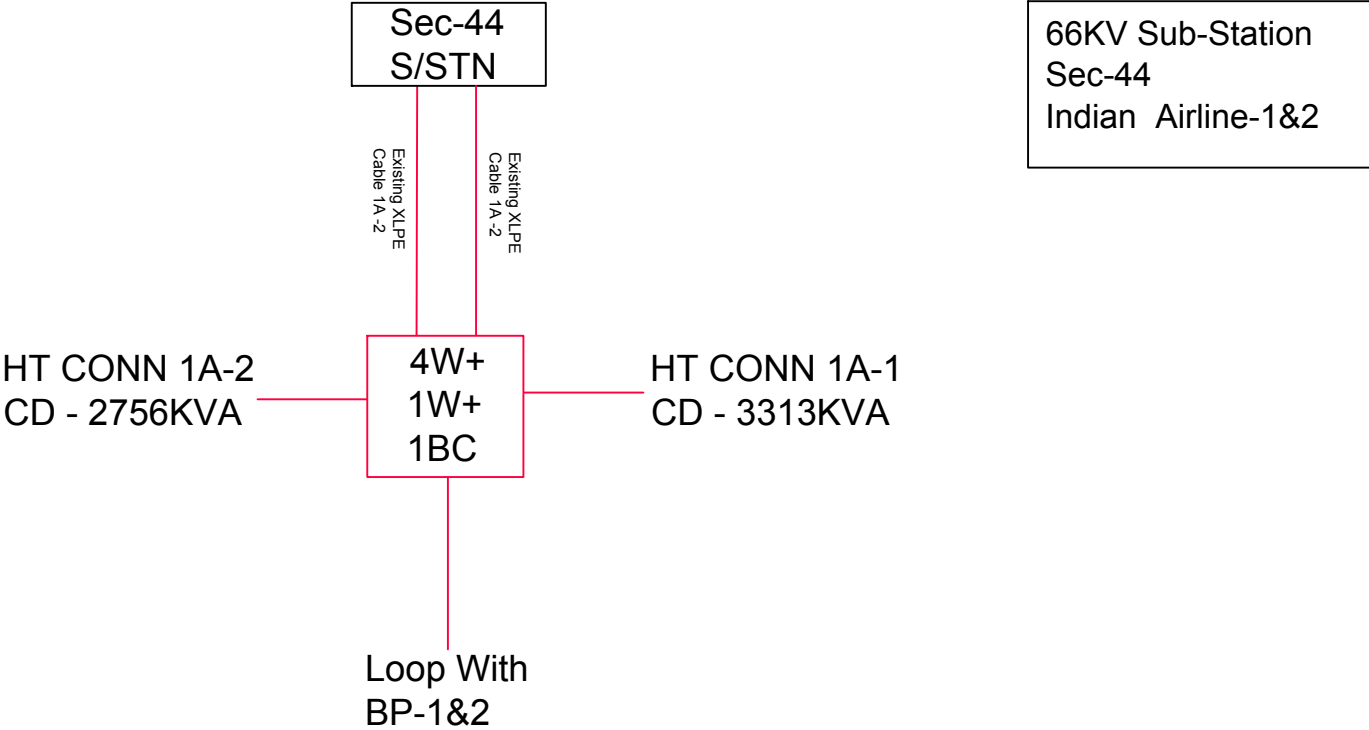
4W+  
1W+  
1BC

HT CONN 1A-2  
CD - 2756KVA

HT CONN 1A-1  
CD - 3313KVA

Loop With  
BP-1&2

66KV Sub-Station  
Sec-44  
Indian Airline-1&2



Sec-28  
S/STN

66KV Sub-Station  
Sec-28  
Bright Star

HT CONN  
Baristal Hotal  
S/L-1911KVA

3W+  
1BC

Loop With  
JMD/Sec-28

Sub-Station  
Q/BLK

Sub-Station - Sec-28  
11KV Feeder  
City Court



HT City Court

loop with  
Sikanderpur/Q blk

Sec-28  
S/STN

66KV Sub-Station  
Sec-28  
Grand Mall

HT CONN  
Grand Mall  
S/L-2220KVA

3W+  
1BC

Loop With  
Active Security/Sec-28



Sec-44  
S/STN

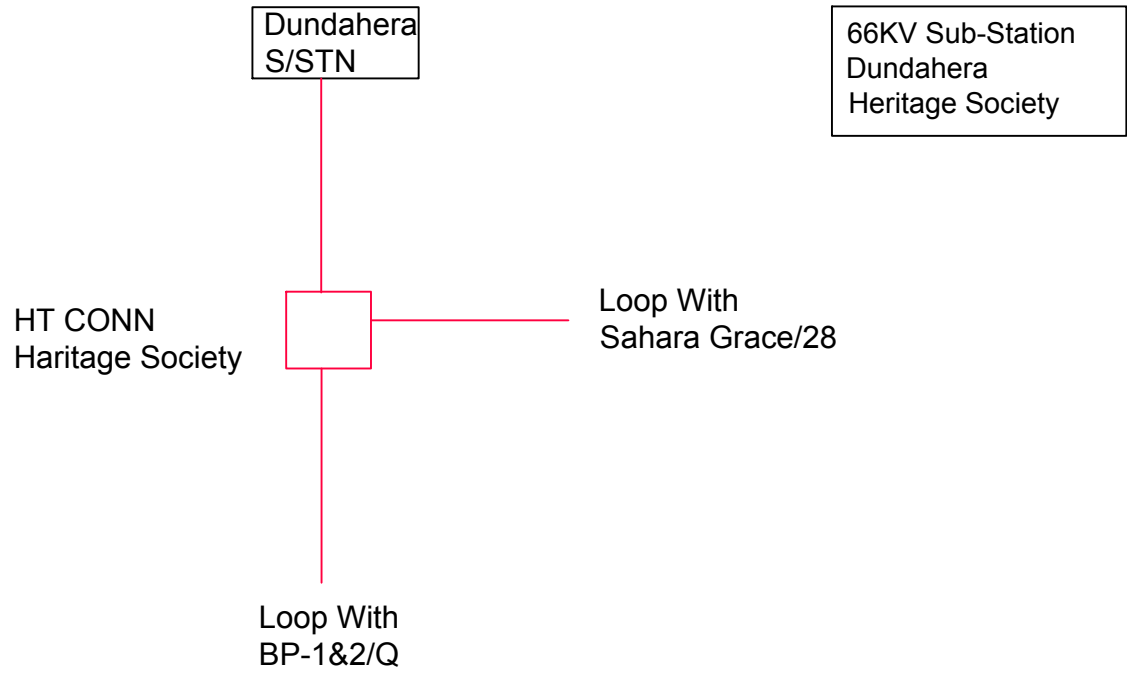
66KV Sub-Station  
Sec-44  
Gurugram Central

HT CONN  
Gurugram Central  
S/L-1553KVA

3W

Loop With  
NSR/SEC-44





Sub-Station  
Sec-28

Sub-Station - Sec-28  
11KV Feeder

3W+ HT LC Meridian Hotel  
BC

loop with  
Garden Estate/Q blk  
at Fortune Hotel

Sec-28  
S/STN

66KV Sub-Station  
Sec-28  
JMD

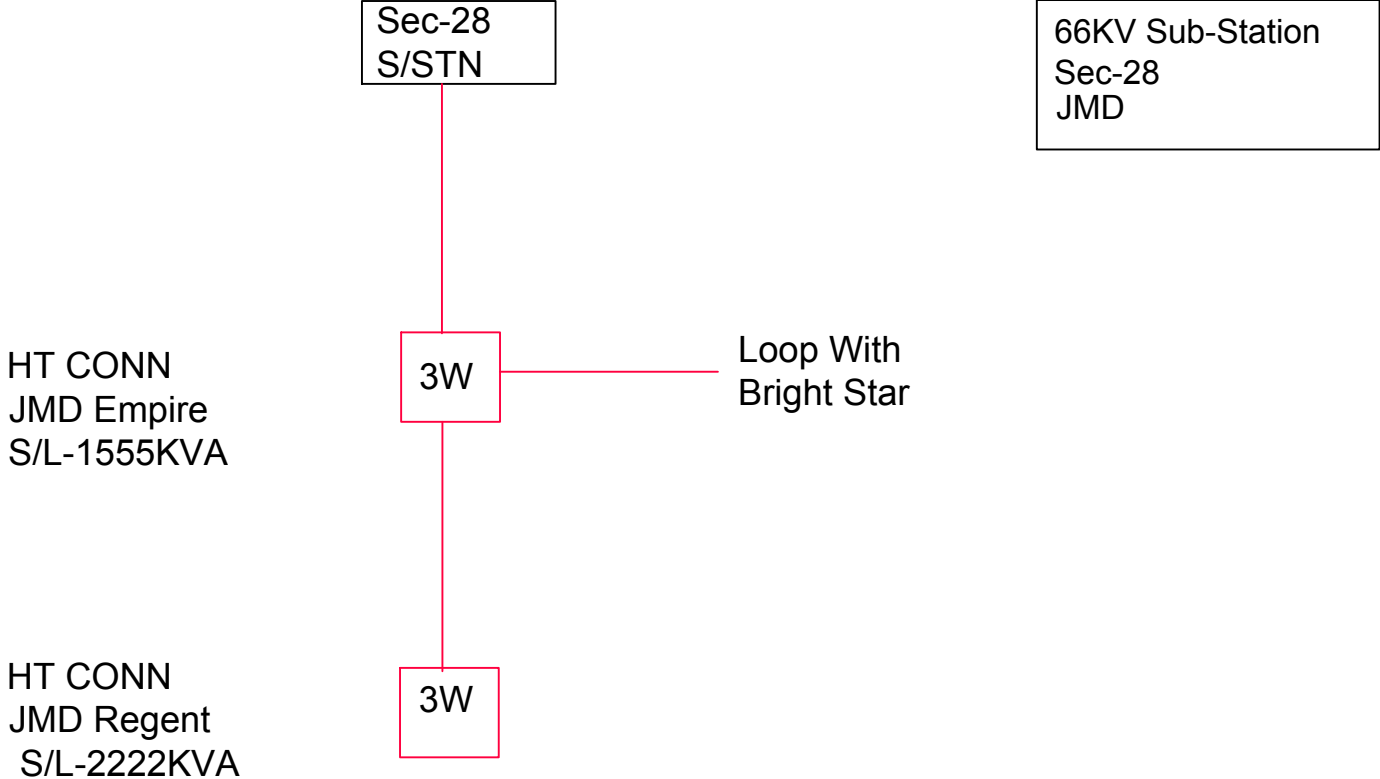
HT CONN  
JMD Empire  
S/L-1555KVA

3W

Loop With  
Bright Star

HT CONN  
JMD Regent  
S/L-2222KVA

3W



Q-BLK  
S/STN

66KV Sub-Station  
Q BLOCK  
RK Yadav

HT CONN  
RK Yadav

3W+  
BC

Loop With  
NMC/Udyog Vihar PH-4

Q-BLK  
S/STN

66KV Sub-Station  
Q-BLOCK  
Metro Polis

HT CONN  
Metro Polis  
S/L-4888KVA

3W+  
BC

Loop With  
Batika/28



Q-BLOCK  
S/STN

66KV Sub-Station  
Q-BLOCK  
MG Road

HT CONN  
DT City Centre  
CD - 3551KVA



HT CONN  
FIP  
CD - 1406KVA



HT CONN  
Vipul Agora  
CD - 2066KVA



Loop With  
Sahara Mall/Q-block



Q-BLK  
S/STN

66KV Sub-Station  
Q-BLOCK  
JMD

HT CONN  
JMD Regent  
S/L-1777KVA

3W+  
BC

Loop With  
Vatika/28



Q-BLK  
S/STN

66KV Sub-Station  
Q-BLOCK  
JMD

HT CONN  
Sahara Mall  
S/L-3140KVA

3W+  
BC

Loop With  
MG Road/Q-block

Sec-44  
S/STN

Existing XLPE  
Cable 1A-2

Existing XLPE  
Cable 1A-2

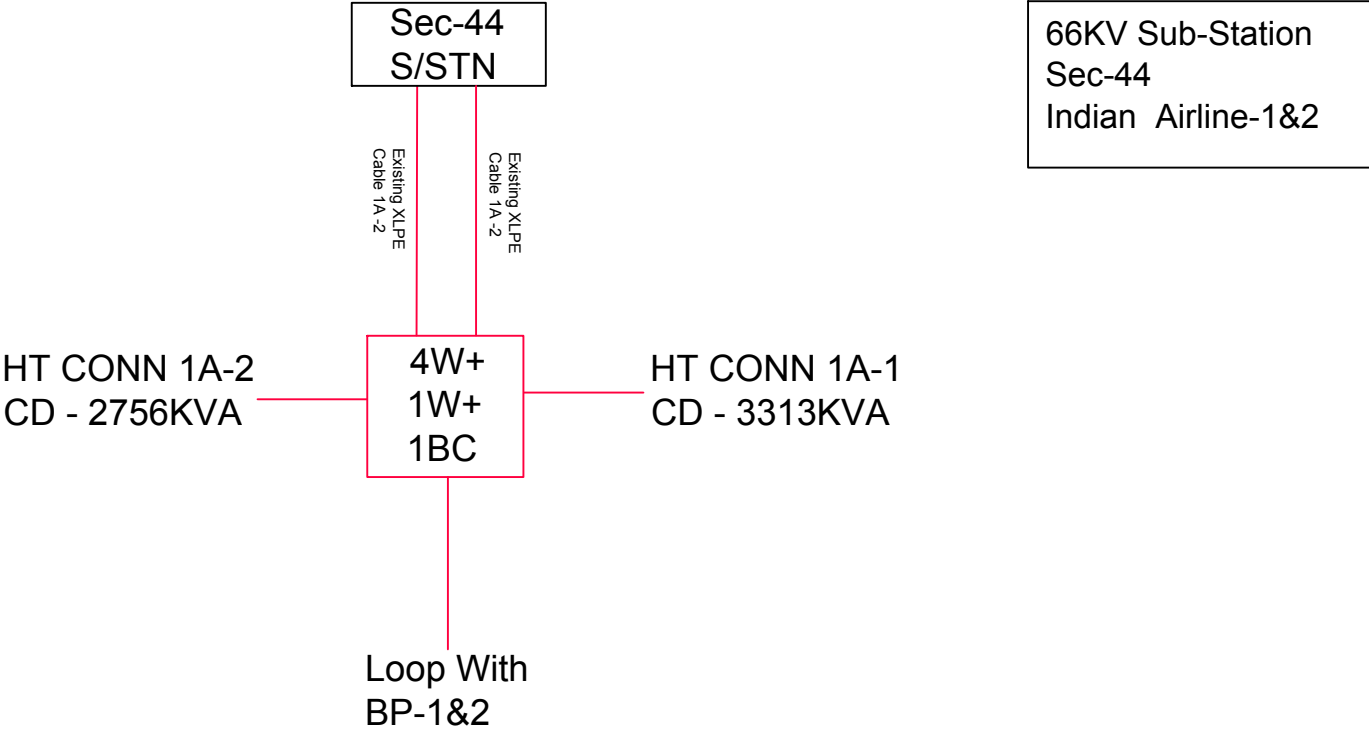
4W+  
1W+  
1BC

HT CONN 1A-2  
CD - 2756KVA

HT CONN 1A-1  
CD - 3313KVA

Loop With  
BP-1&2

66KV Sub-Station  
Sec-44  
Indian Airline-1&2



Dundahera  
S/STN

66KV Sub-Station  
Dundahera  
Sahara Grace

HT CONN  
Sahara Grace  
CD-9370KVA



Loop With  
Sahara Grace/28

Sub-Station  
Sec-28

Sub-Station - Sec-28  
11KV Feeder  
Sarva Mangalam

3W HT Tower A&B

3W+ HT Tower D  
BC

loop with  
Garden Estate/Q blk

Udyog Vihar  
PH-4 S/STN

66KV Sub-Station  
Udyog Vihar PH-4  
NMC

HT CONN  
NMC Society

3W

Loop With  
RK Yadav/Q-block



Sec-28  
S/STN

66KV Sub-Station  
Sec-28  
Vatika

HT CONN  
City Point  
S/L-2500KVA

3W+  
1W

Loop With

HT CONN  
Vatika Triangle  
S/L-2220KVA

3W

Loop With  
Metro/Q block

