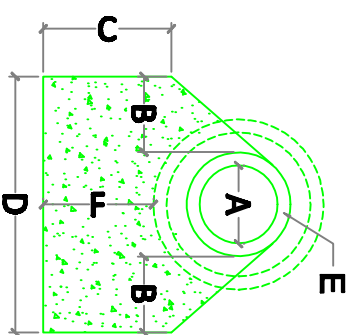
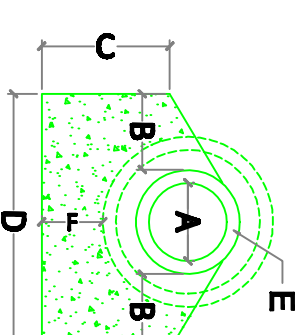


I/d in M.M.	100	150	200	250	300	350	400	450	TYPE I
A in M.M.	100	150	200	250	300	350	400	450	SEWER LAID IN OPEN TRENCHES WHERE COVER 0.91 M OR LESS IN FIELDS OR 1.11M IN ROADS AND STREETS
B in M.M.	100	115	125	125	150	150	150	150	
C in M.M.	162	206	242	270	325	355	385	413	
D in M.M.	324	412	484	540	650	710	770	820	
E in M.M.	12								
L.CONC. in cum/mt.	0.0816	0.1255	0.1661	0.1943	0.281	0.318	0.3558	0.3918	

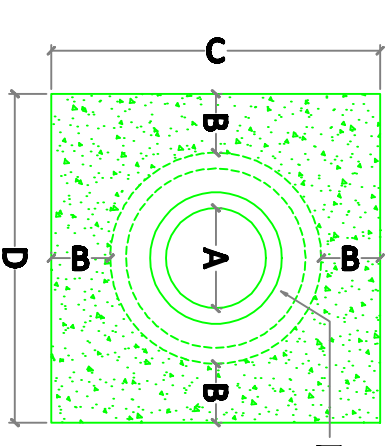


I/d in M.M.	100	150	200	250	300	350	400	450	TYPE II
A in M.M.	100	150	200	250	300	350	400	450	SEWER LAID IN OPEN TRENCHES WHERE COVER EXCEEDS 0.91 M IN FIELDS & 1.22 M IN ROADS AND STREETS BUT NOT EXCEED 4.27 M
B in M.M.	75	75	90	90	100	115	115	115	
C in M.M.	126	145	173	197	237	252	267	281	
D in M.M.	274	332	414	470	550	640	700	756	
E in M.M.	12	16	17	20	25	30	35	38	
L.CONC. in cum/mt.	0.037	0.0496	0.0741	0.093	0.1289	0.1565	0.1785	0.1969	



I/d in M.M.	100	150	200	250	300	350	400	450	TYPE III
A in M.M.	100	150	200	250	300	350	400	450	SEWERS LAID IN OPEN TRENCHES 4.27 BUT DOES NOT EXCEEDS 9.10 M
B in M.M.	90	90	100	115	115	115	115	125	
C in M.M.	162	206	257	295	325	355	385	413	
D in M.M.	304	362	434	520	580	640	700	776	
E in M.M.	12	16	17	20	25	30	35	38	
L.CONC. in cum/mt.	0.0468	0.0668	0.0968	0.1311	0.1526	0.1726	0.1976	0.2313	

FOR TENDER PURPOSE ONLY



I/d in M.M.	100	150	200	250	300	350	400	450	TYPE IV
A in M.M.	100	150	200	250	300	350	400	450	SEWERS LAID IN ALL HEADINGS OR TUNNELS AND ALSO IN OPEN TRENCHES WHERE COVER EXCEEDS 6.10 M
B in M.M.	150	150	150	150	150	150	150	150	
C in M.M.	424	482	534	590	650	710	710	826	
D in M.M.	424	482	534	590	650	710	710	826	
E in M.M.	12	16	17	20	25	30	35	38	
L.CONC. in cum/mt.	0.1735	0.212	0.2499	0.282	0.3203	0.3721	0.4194	0.405	

CLIENT
Municipal Commissioner Karnal
Directorate of Urban Local Bodies Panchakula
Government of Haryana



THROUGH
Executive Engineer-1st
Municipal Corporation Karnal

PROJECT
Sewerage System In Deprived Area of Karnal
Town Under AMRUT

DRG. TITLE :-
Cross-Section of Standard
S.W.P Sewer

SCALE :- N.T.S. DATE :- 18/2/2017

DRG NO:- DULB/MC/AMRUT/KARNAL/SEW-02