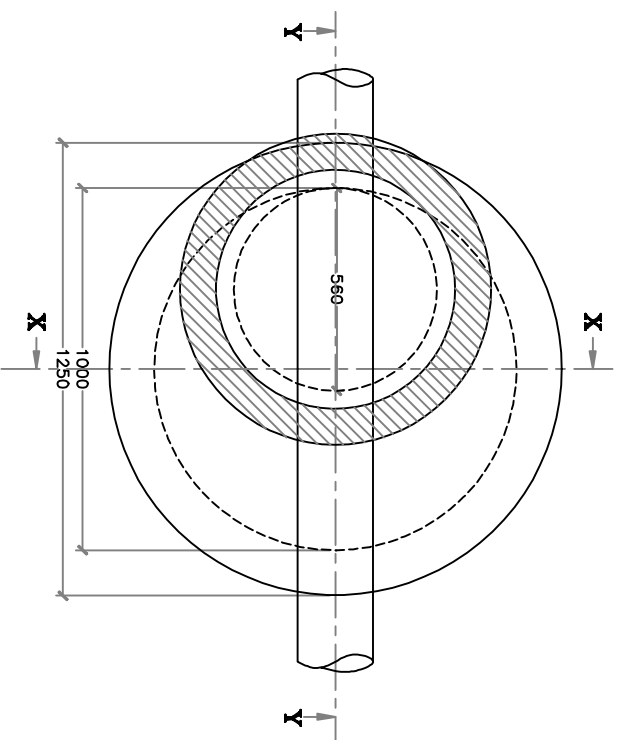
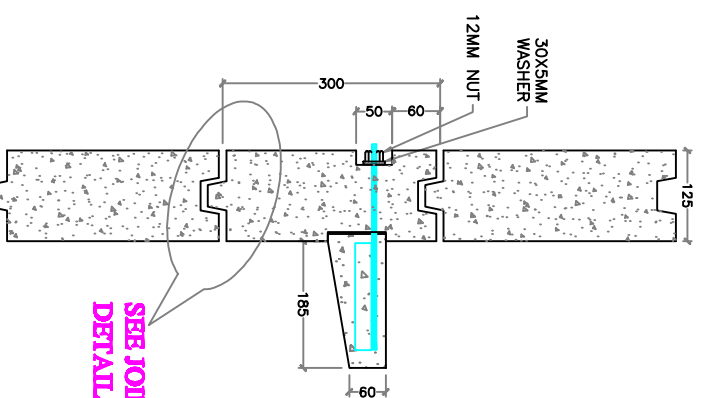


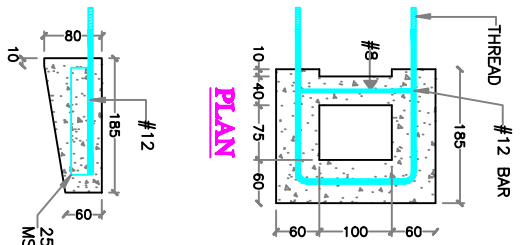
FOR TENDER PURPOSE ONLY



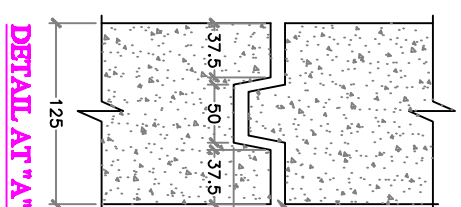
PLAN



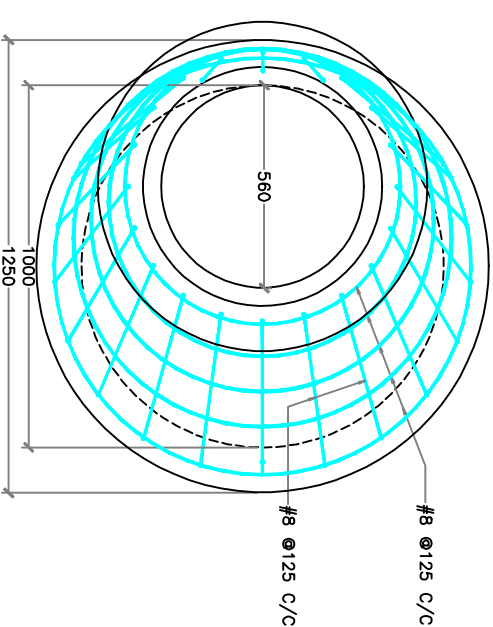
DETAILS OF FIXING FOOT STEP



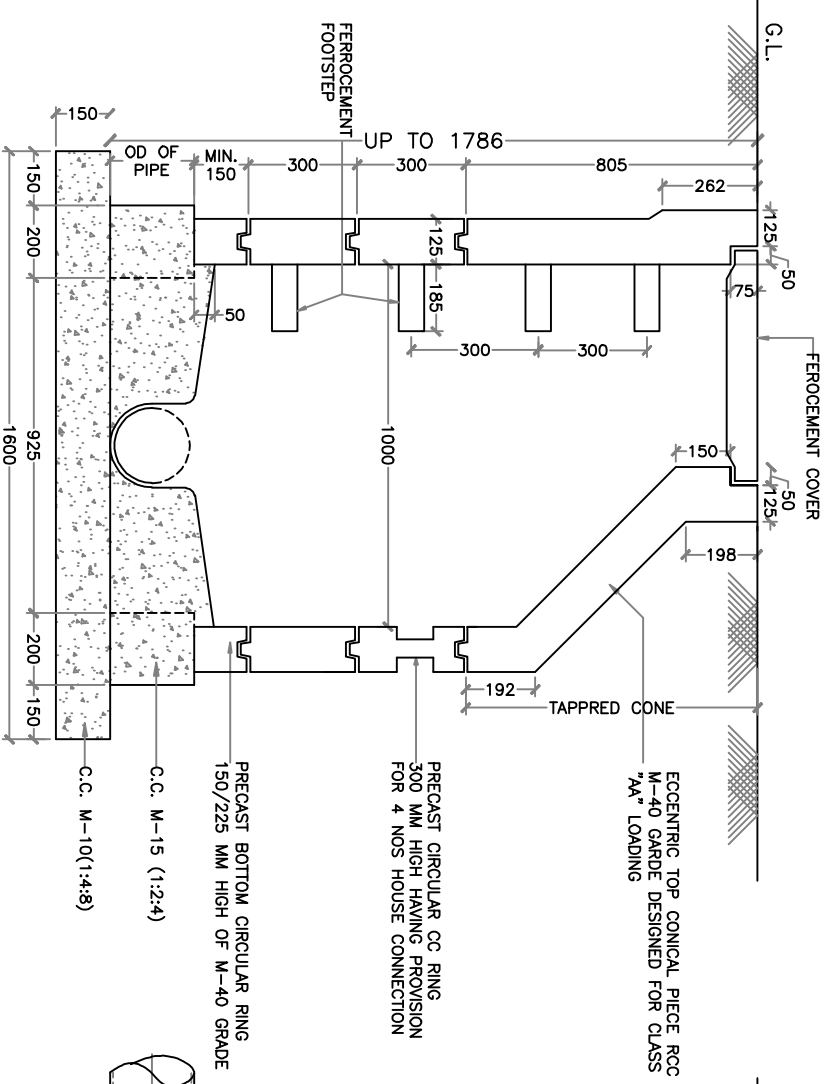
PLAN



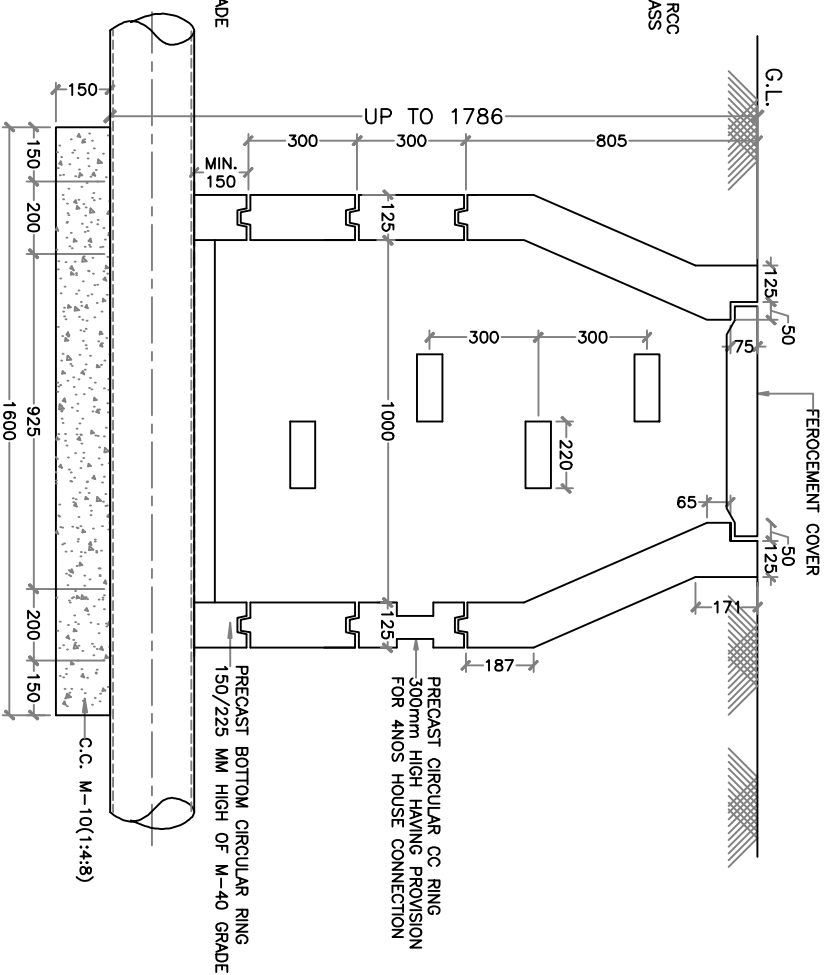
DETAIL AT 'A'



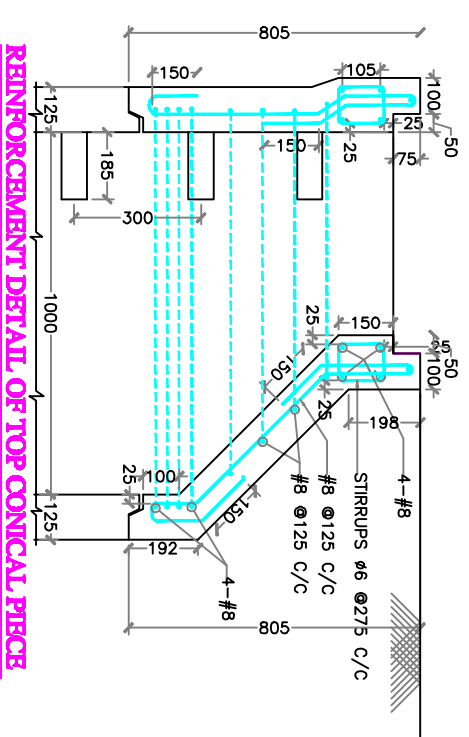
REINFORCEMENT PLAN



SECTION AT Y-Y



SECTION AT X-X



REINFORCEMENT DETAIL OF TOP CONICAL PIECE

FOR TENDER PURPOSE ONLY

ALL DIMENTIONS ARE IN MM

CLIENT
Municipal Commissioner Karnal
Directorate of Urban Local Bodies Panchakula
Government of Haryana



THROUGH
Executive Engineer-1st
Municipal Corporation Karnal

PROJECT
Sewerage System In Deprived Area of Karnal
Town Under AMRUT

DRG. TITLE :-
Construction Drawing of precast Man
Hole Chamber For Sewer line

Invert Depth Up To 1790 mm
Internal Dia 1000 mm

SCALE :- N.T.S.

DATE :- 18/2/2017

DRG NO:- DULB/MC/AMRUT/KARNAL/SEW-03